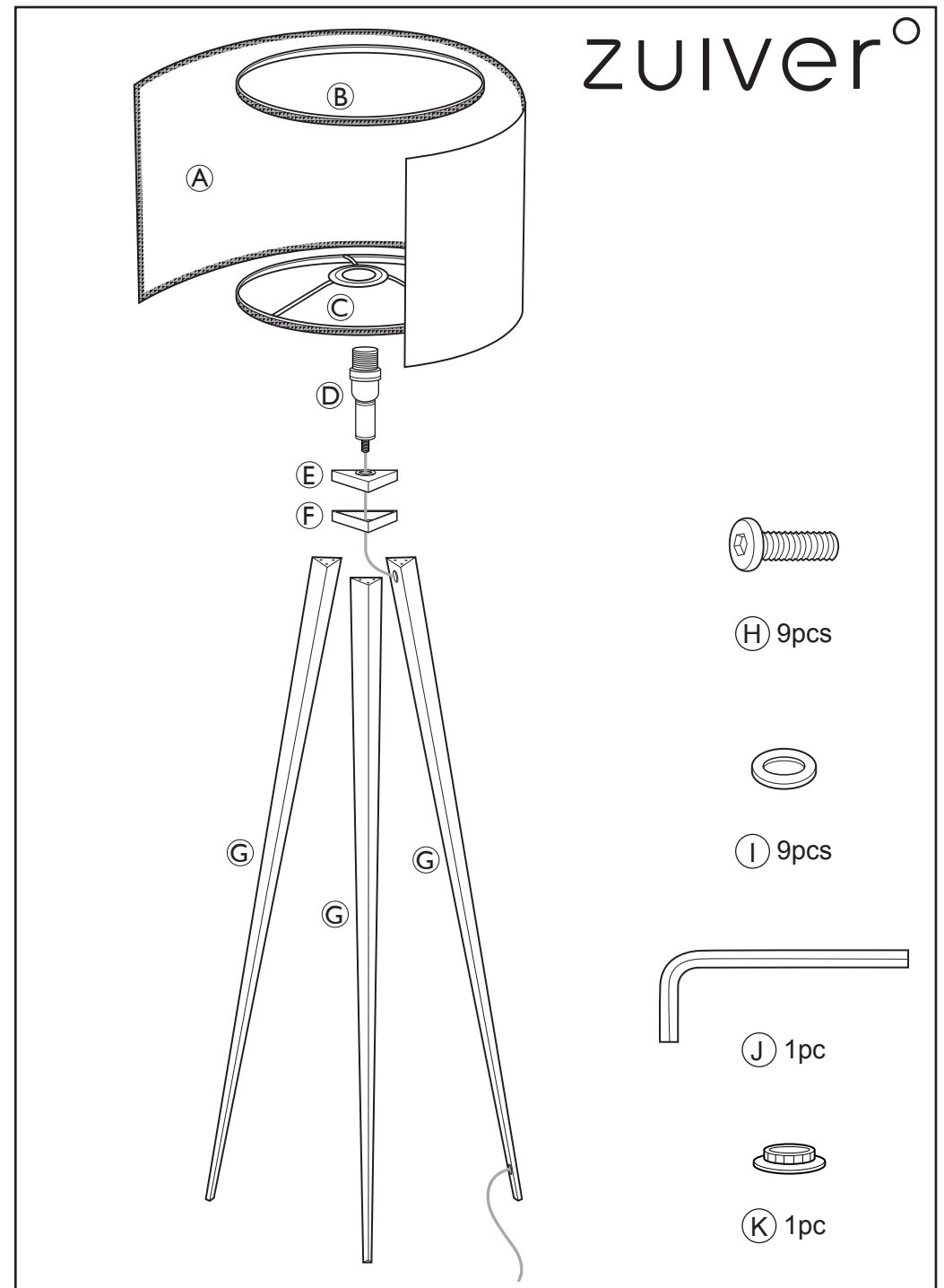
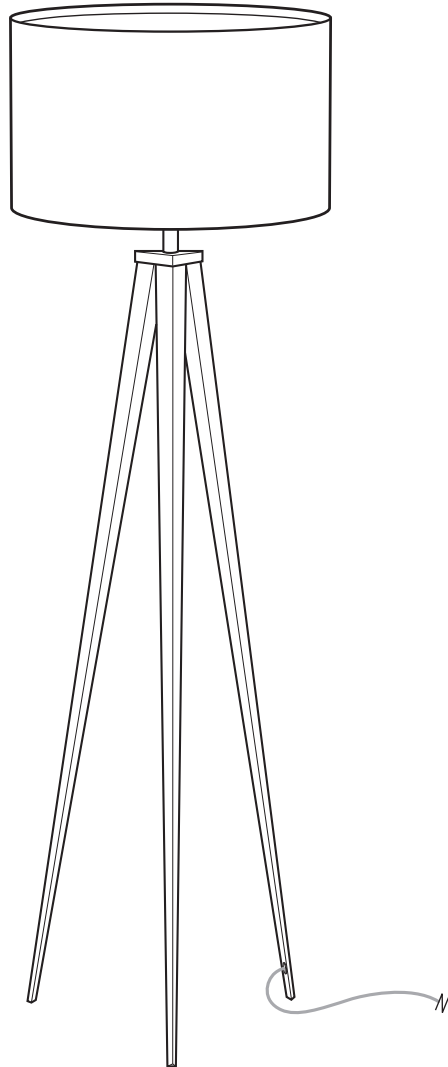


# ASSEMBLY INSTRUCTIONS

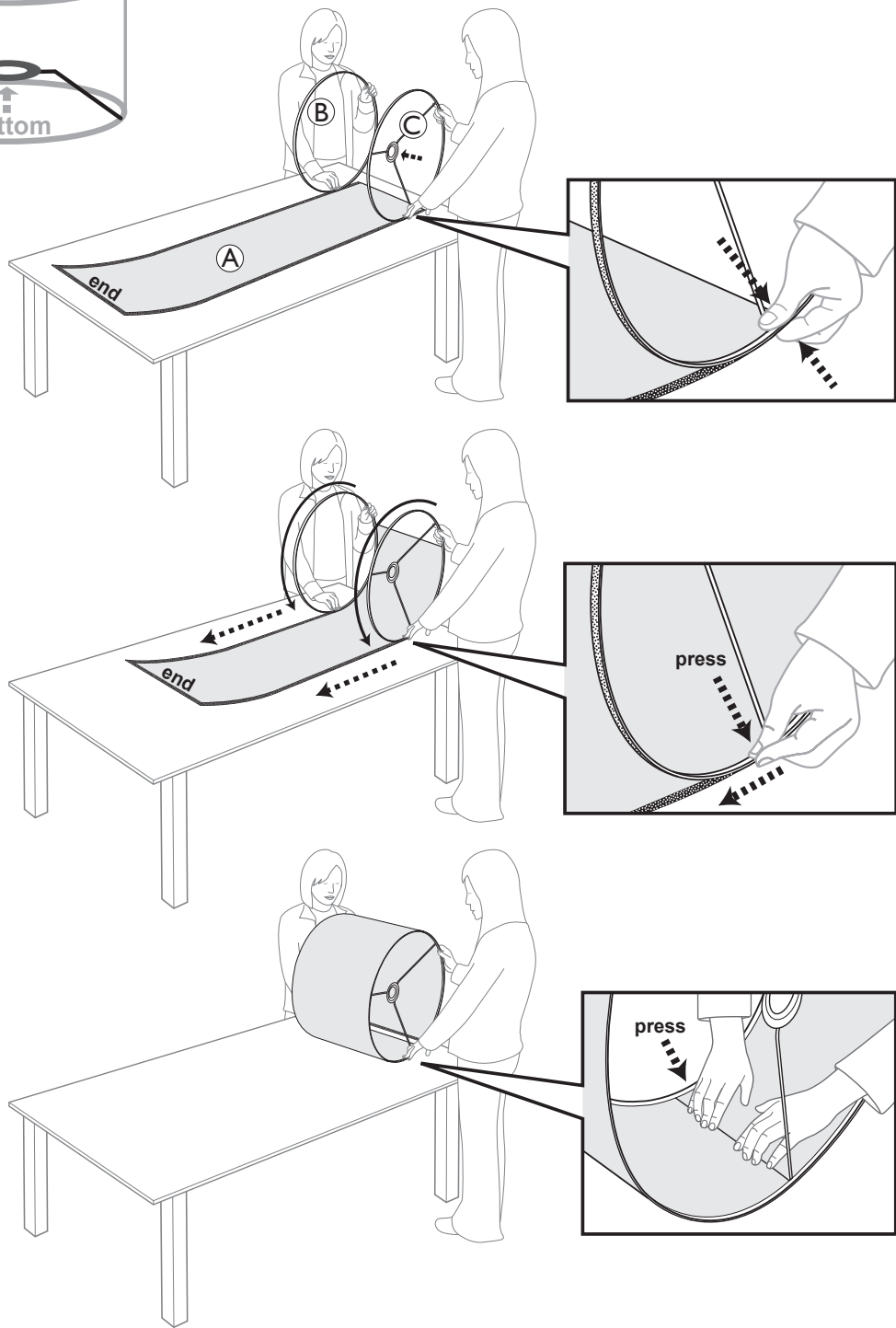
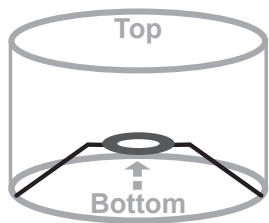
5000800, 5000801, 5000802, 5000805, 5000806  
5100049, 5100050, 5100053, 5100054, 5100060,  
5100061, 5100062, 5100063, TRIPOD



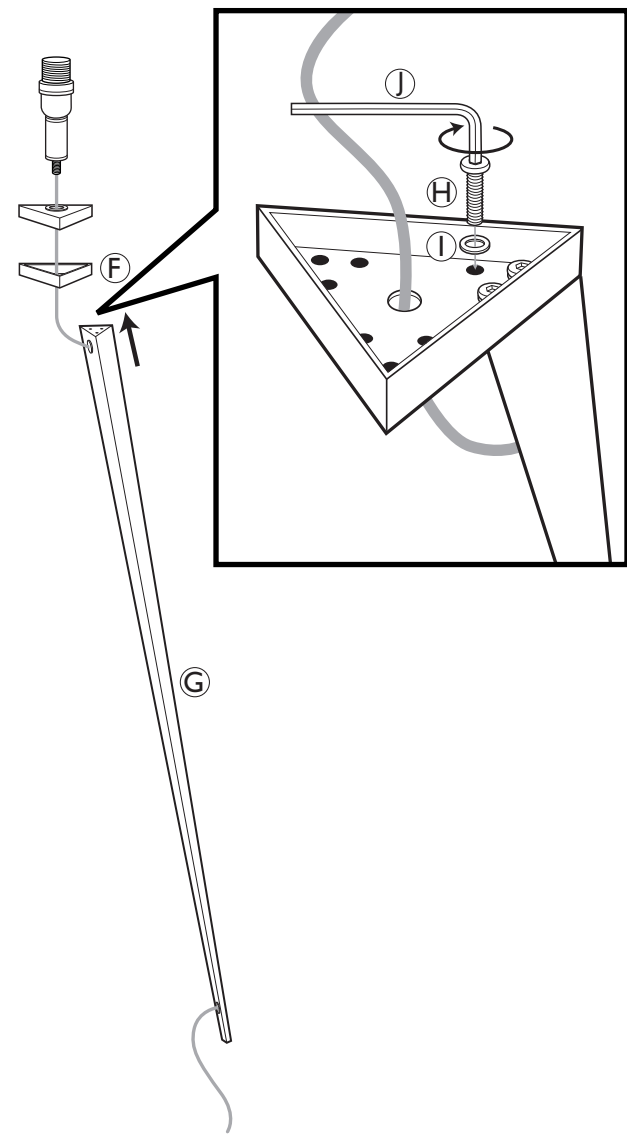
LAMPSHADE patent  
USA: US 8,292,476  
China: ZL200820000799.4  
EU: 08014421.5-2423  
Japan: 3145825  
Taiwan: M350672  
DE: 20 2014 007 328.7

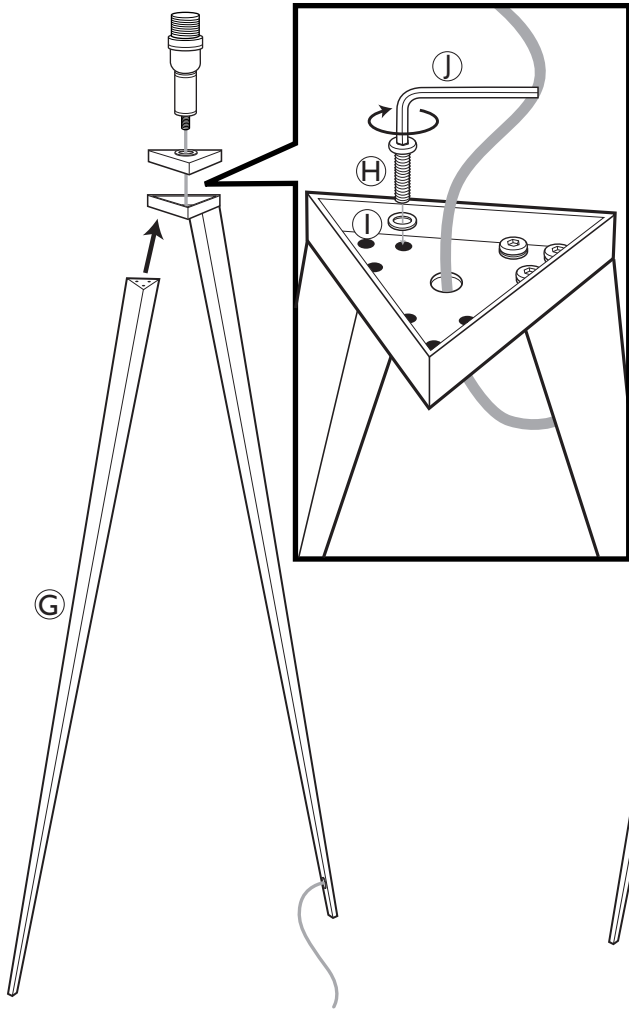
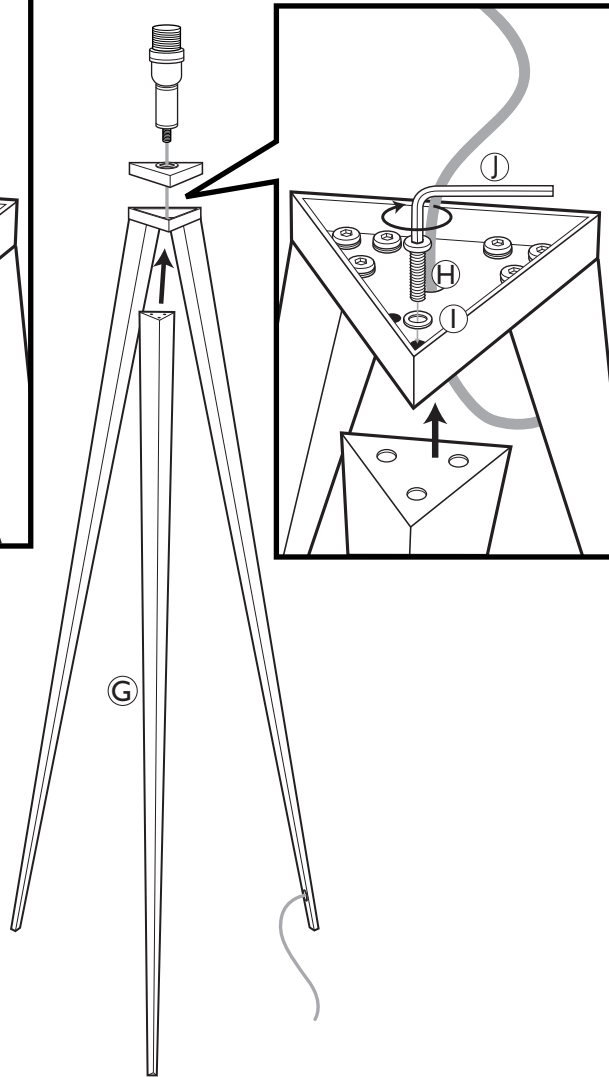
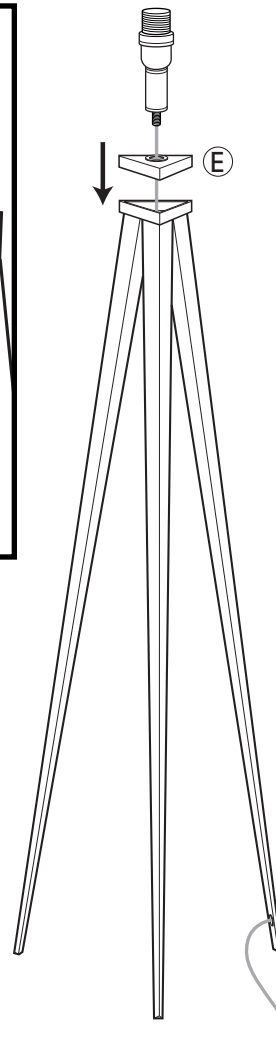
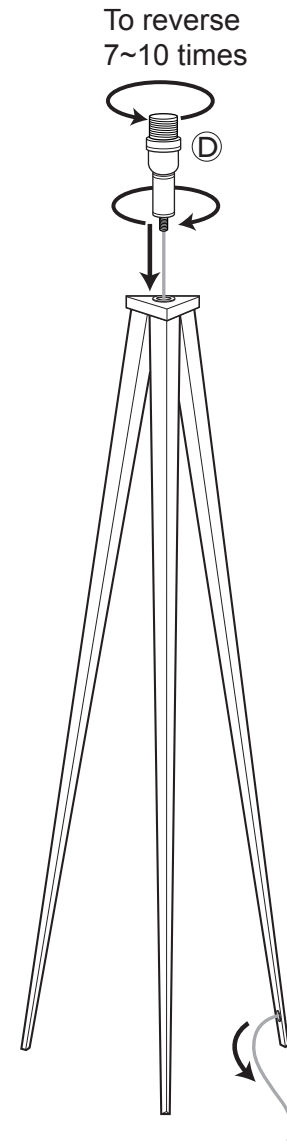
**Caution** : If the external flexible cable or cord of this luminaire is damaged, it should be replaced by a qualified person in order to avoid a hazard.

1



2



**3****4****5****6****7**