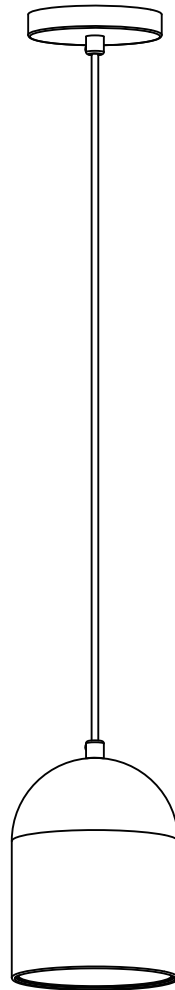


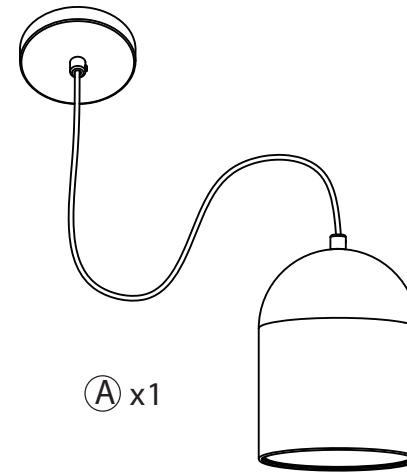
ASSEMBLY INSTRUCTIONS

5300084 PENDANT LAMP MARVEL



Caution: If the external flexible cable or cord of this luminaire is damaged, it should be replaced by a qualified person in order to avoid a hazard.

zUiver^o



B x2



C x2

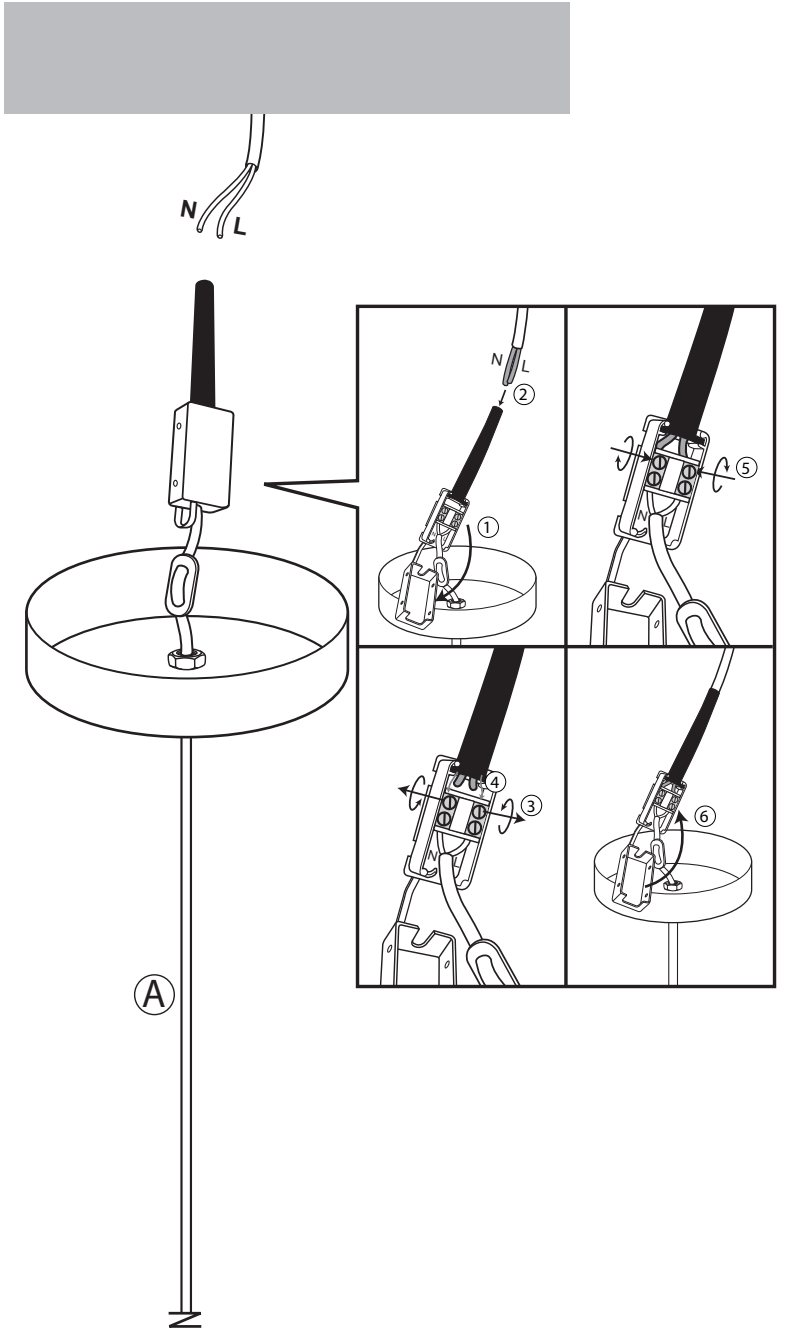


D x1

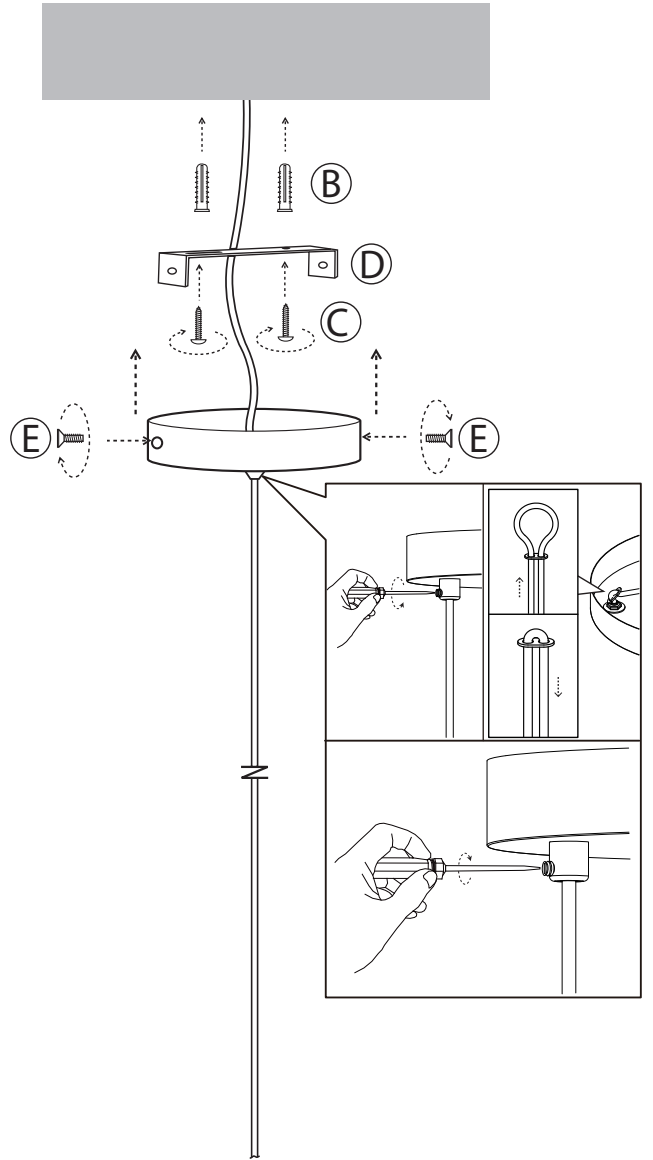


E x2

1



2



3

