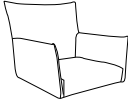

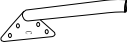

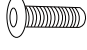

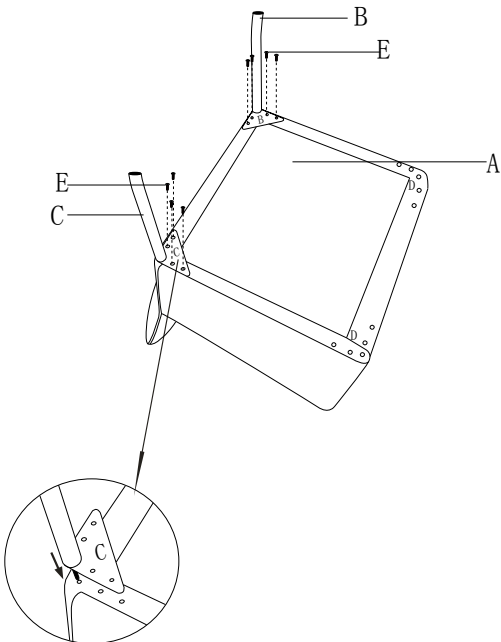


# Assembly Instructions

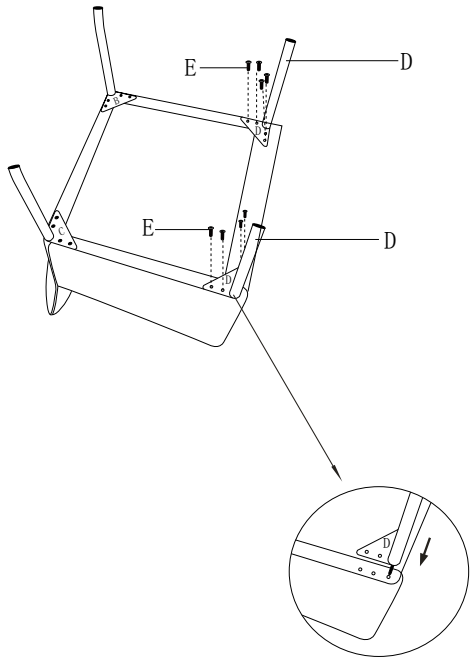
A*1 	B*1 	C*1 	D*2 	E*16 	F*1 
--	--	--	--	---	--

①



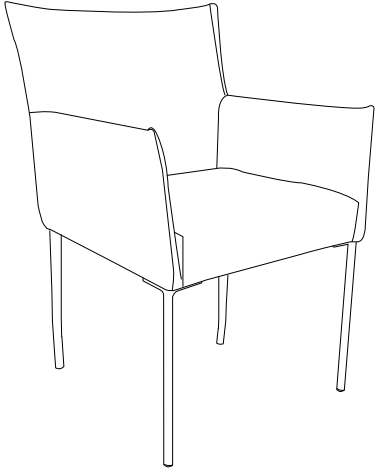
First: Slide pin into the hole.

②

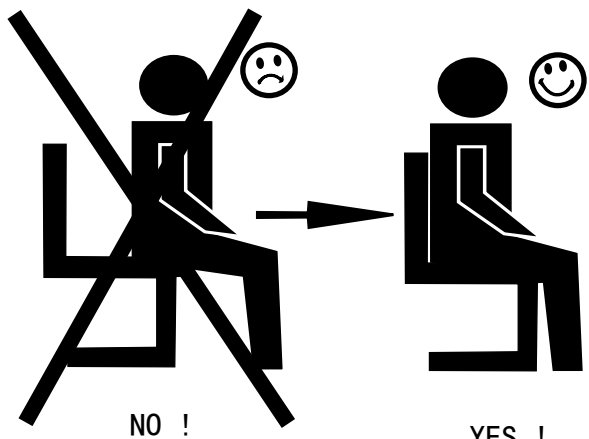


First: Slide pin into the hole.

③



④



NO ! YES !