


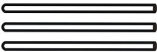
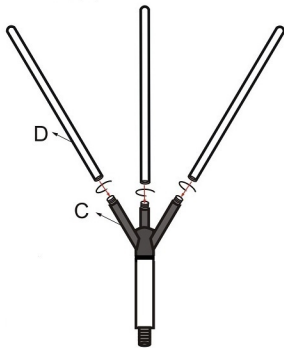


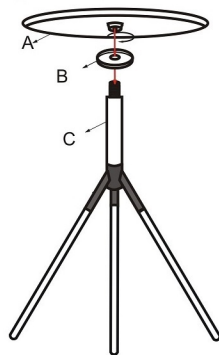
ASSEMBLY INSTRUCTIONS

Component/Hardware Included in Pack			
A	Metal Top		1 pcs
B	Small Top Plate		1 pcs
C	Center Pipe		1 pcs
D	Leg		3 pcs

Step 1: Tightly Screw the all Legs(D) with the base of Leg attachment(C)



Step 2: Place the Small Top Plate(B) on the top of Center Pipe(C) Tightly Screw the Metal Top(A) with the Leg attachment



Assembled table

