




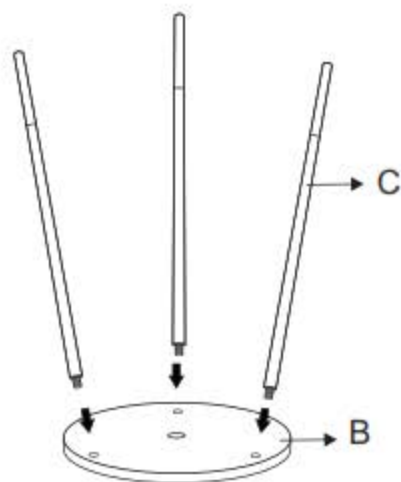


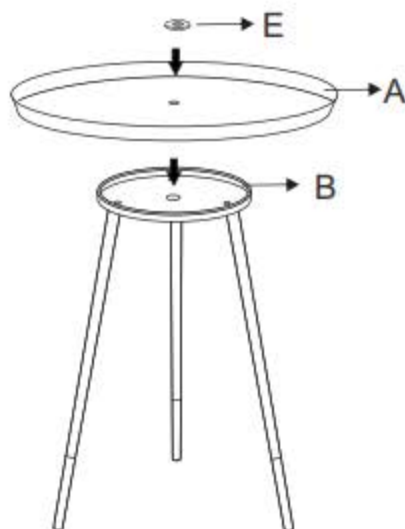
ASSEMBLY INSTRUCTIONS

<u>Component/Hardware Included in Pack</u>			
A	Metal Top		1Pc
B	Small Top Plate		1Pc
C	Leg		1Pc
D	Top Handle		1Pc
E	Small Washer		1Pc

Step 1: Tightly Screw the all three Legs (C) on the back of Small Top Plate (B).



Step 2: Place the Metal Top (A) on the center of Small Top Plate (B) then place the Small Washer (E) on the center hole of Metal Top (A).



Step 3: Tightly Screw the Metal Top & Small Washer on the Center Part (B) with the help of Top Handle (D).



Assembled Product

