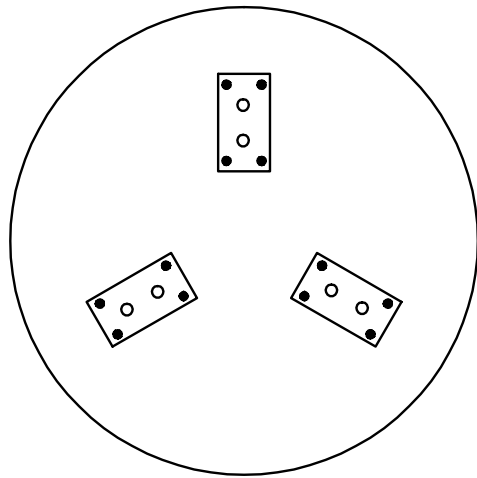
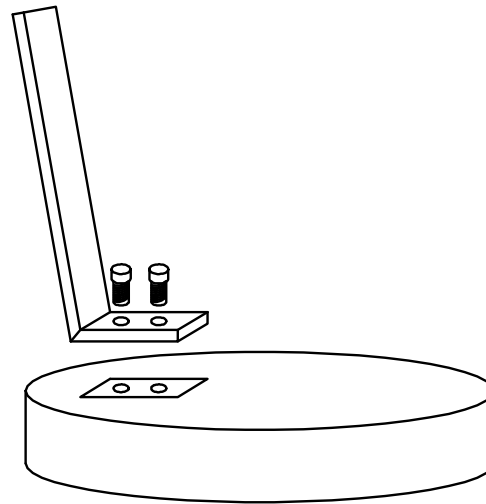


# ASSEMBLY INSTRUCTION -2300058 SIDE TABLE ROUND

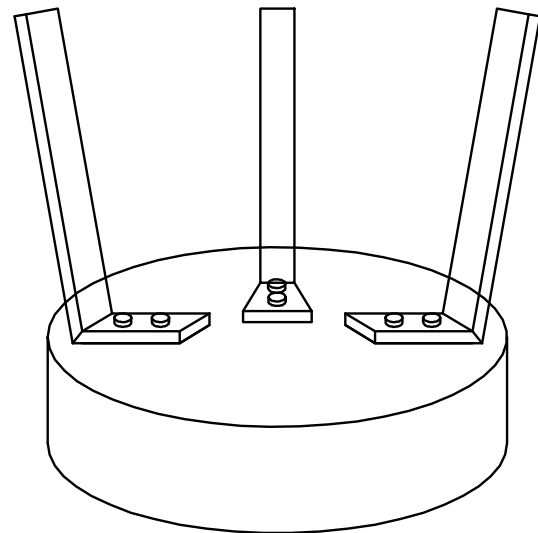
## STEP-1



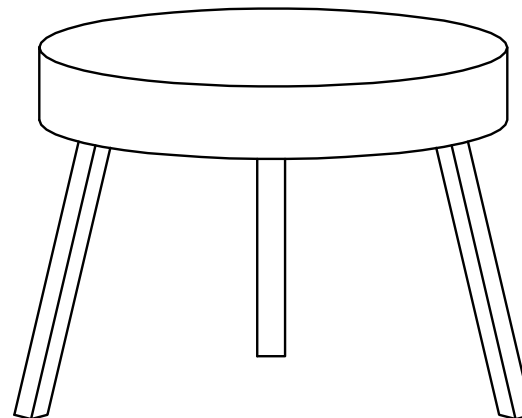
## STEP-2



## STEP-3



## STEP-4



S.NO.	COMPONENT	QTY.
1.	TABLE TOP	01
2.	LEG	03
3.	BOLT	06
4.	TOOL FOR FIXING	01

