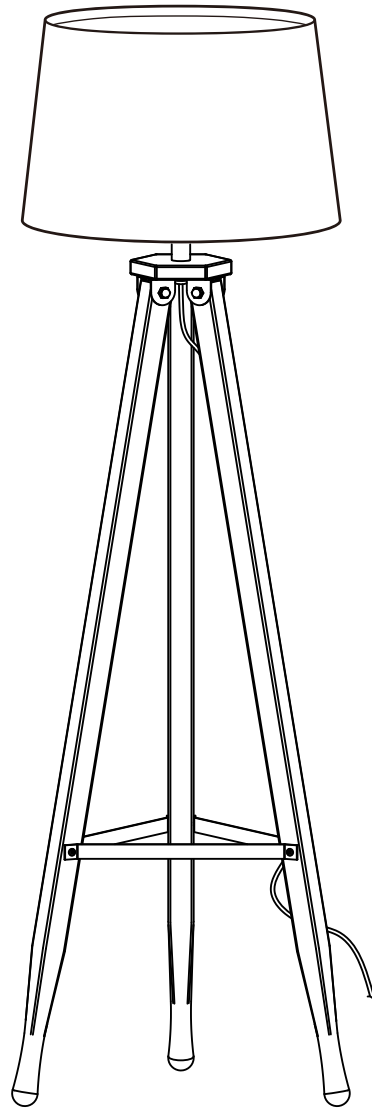


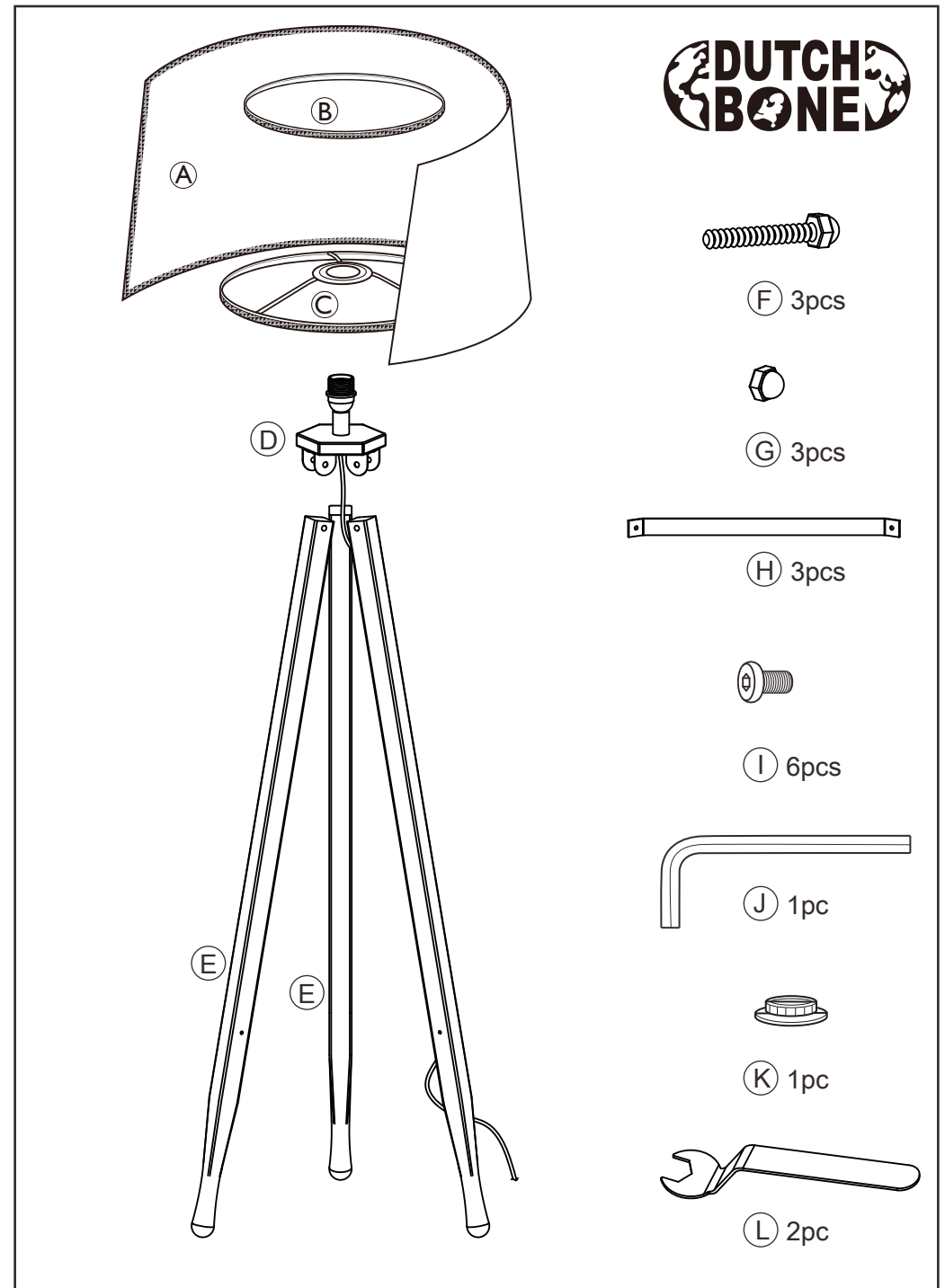
# ASSEMBLY INSTRUCTIONS

5100041 FLOOR LAMP RIF

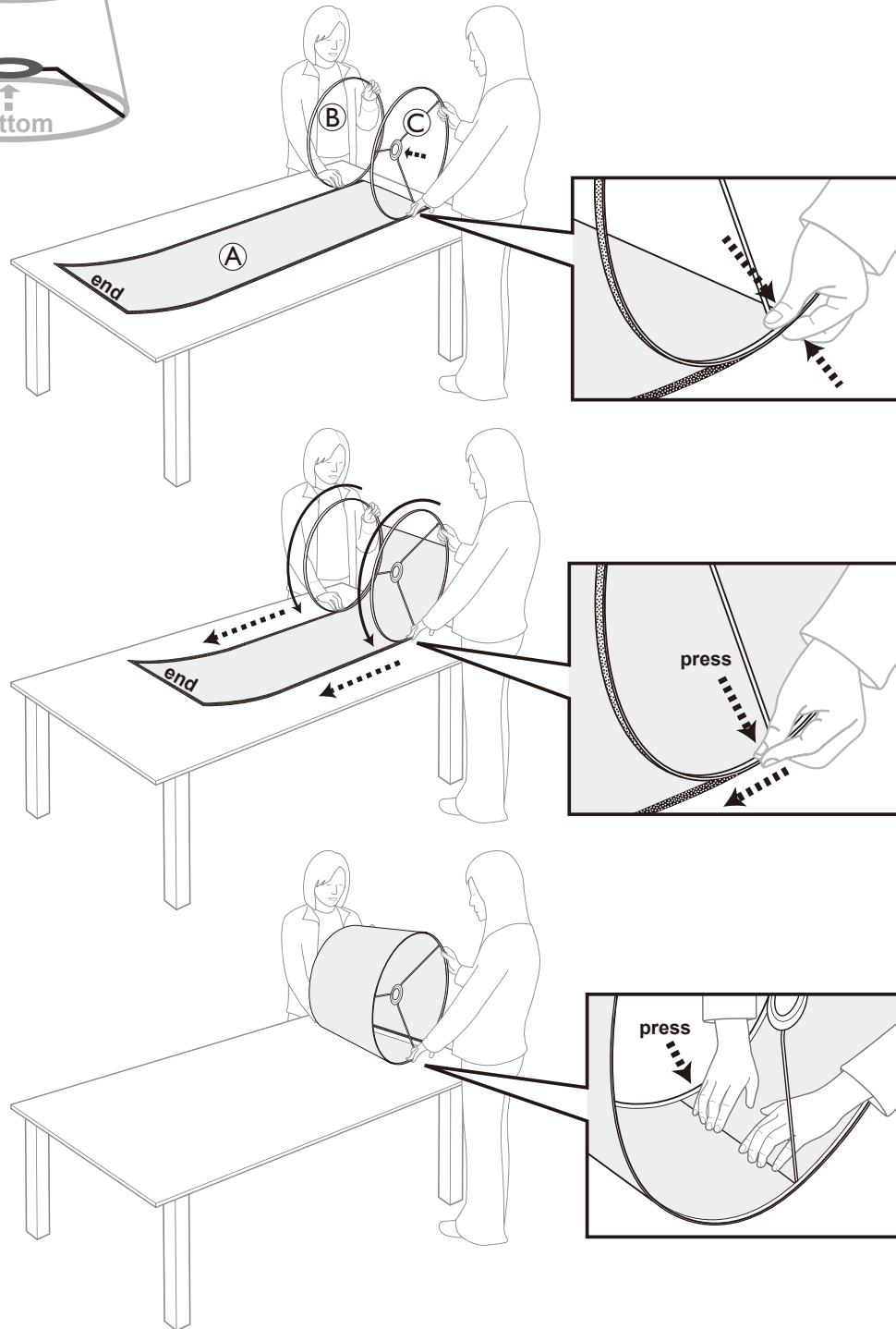
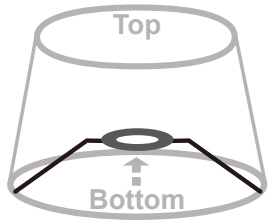


LAMPSHADE patent  
USA: US 8,292,476  
China: ZL200820000799.4  
EU: 08014421.5-2423  
Japan: 3145825  
Taiwan: M350672

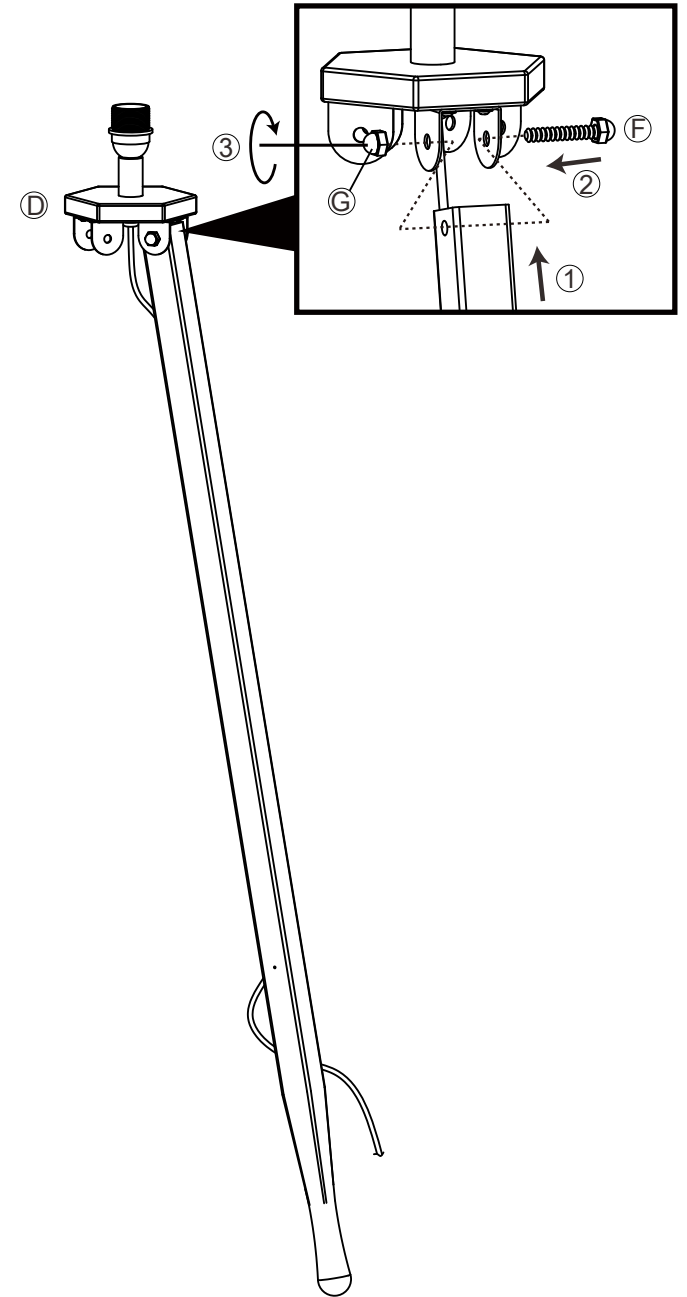
**Caution :** If the external flexible cable or cord of this luminaire is damaged, it shall be exclusively replaced by the manufacturer or its service agent or a similar qualified person in order to avoid a hazard.



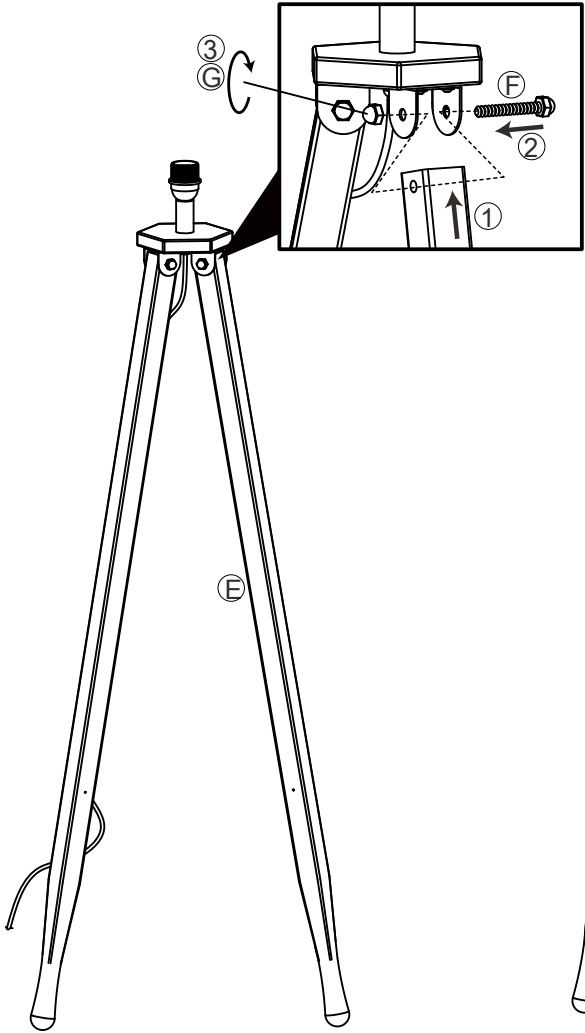
1



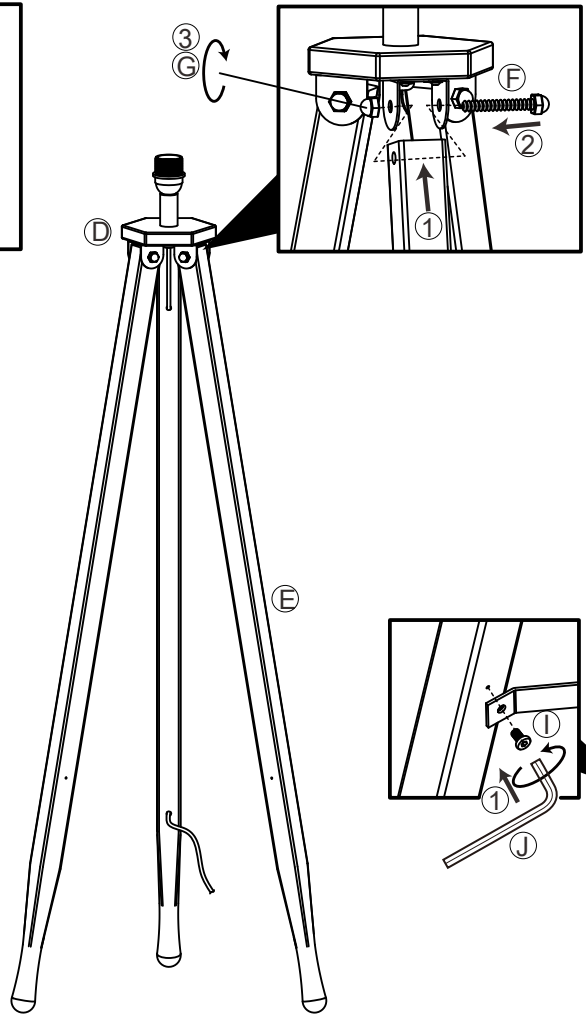
2



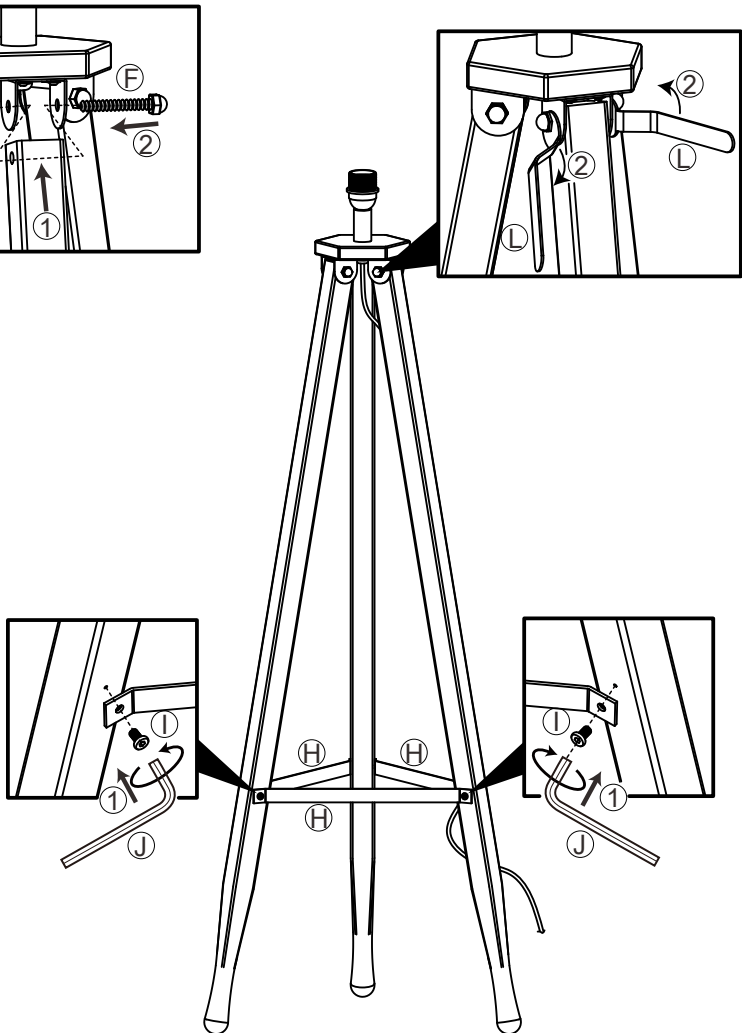
3



4



5



6

