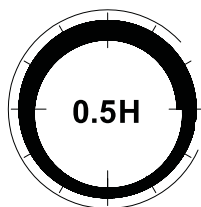
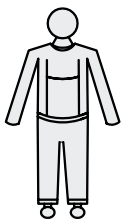
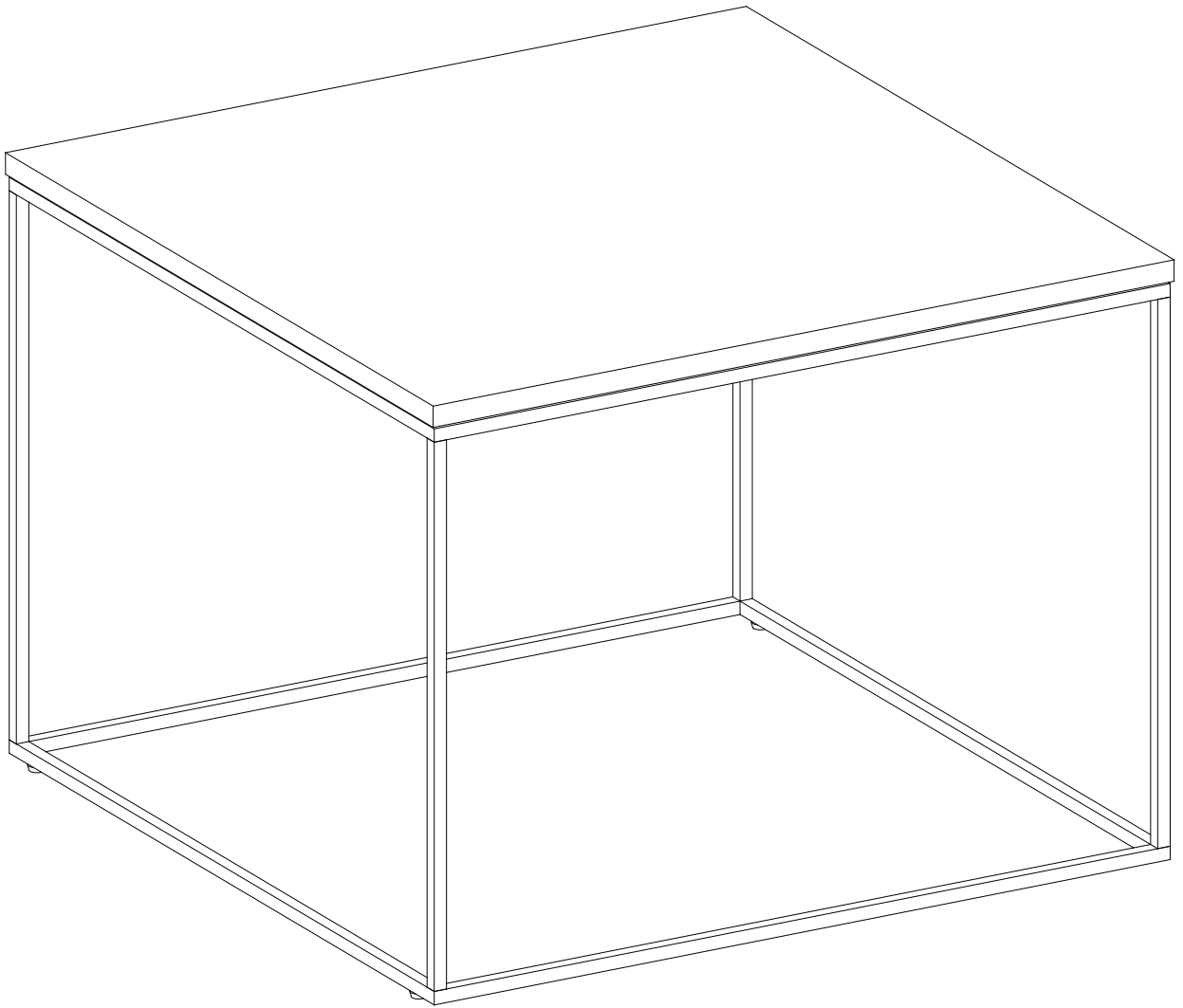
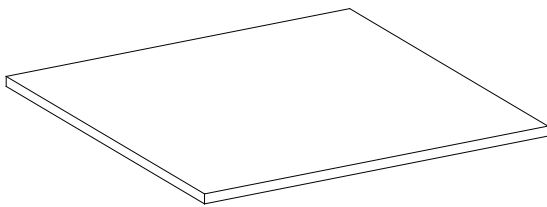
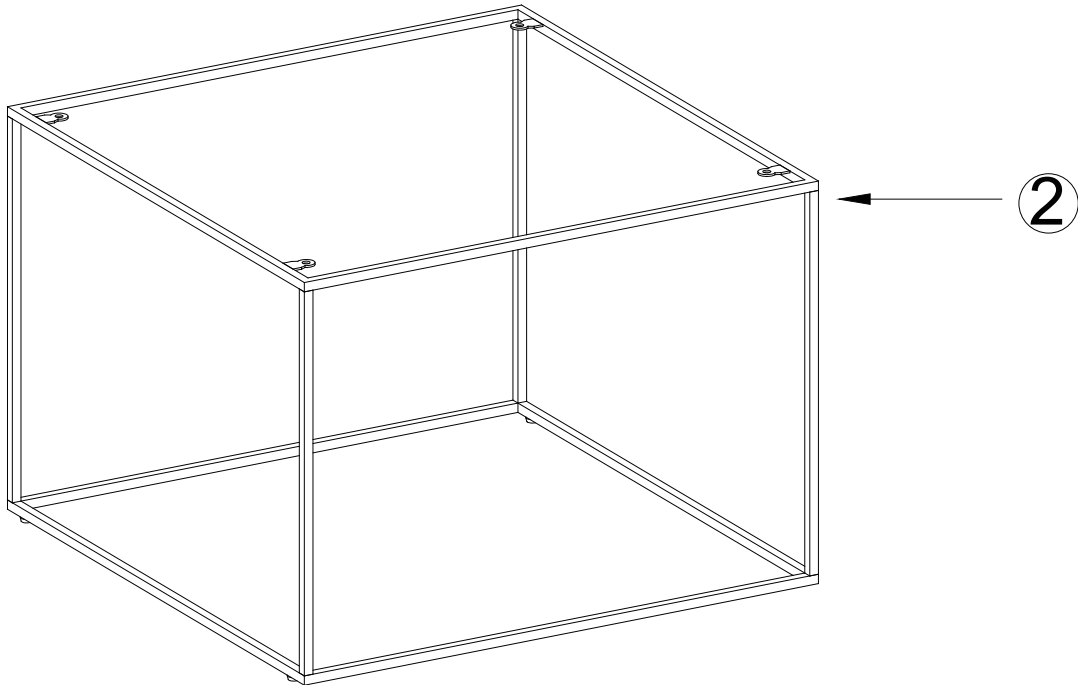
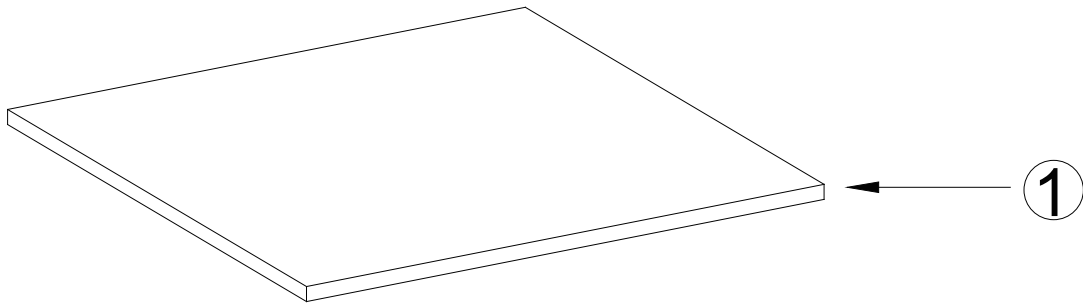
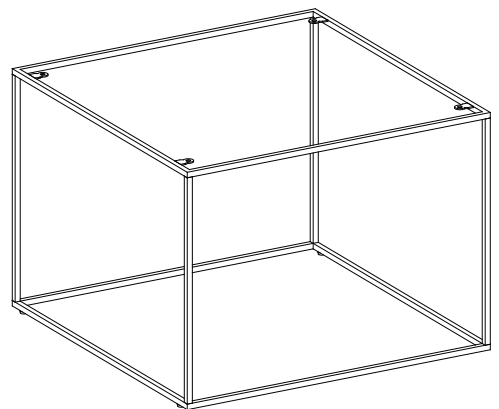

Bolton





1(x1)



2(x1)

Ø30
Ax4



