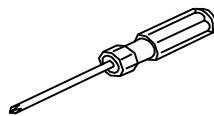
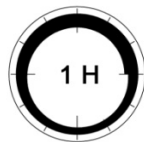
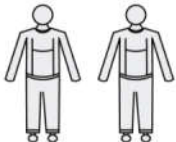
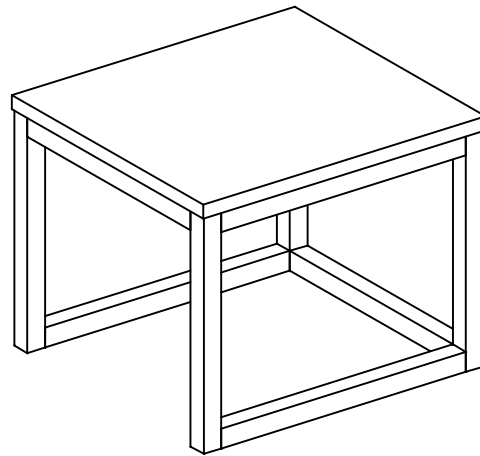
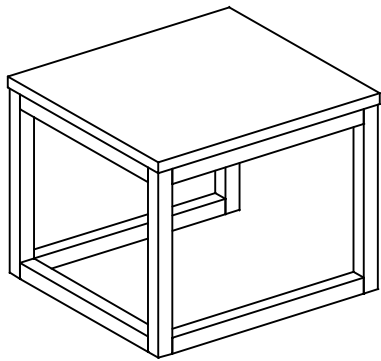
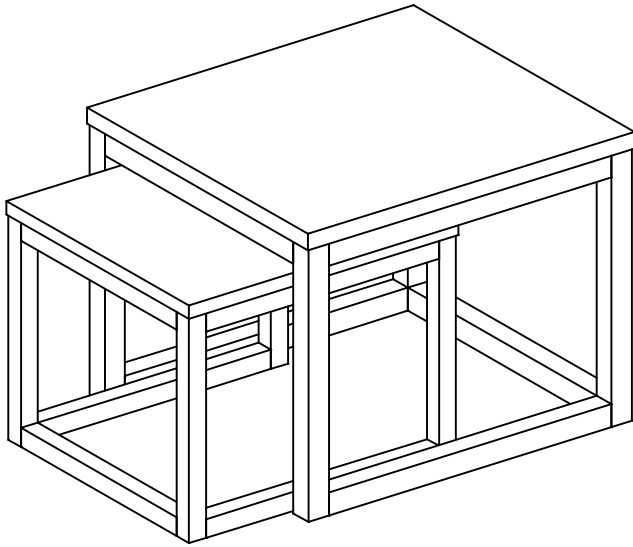
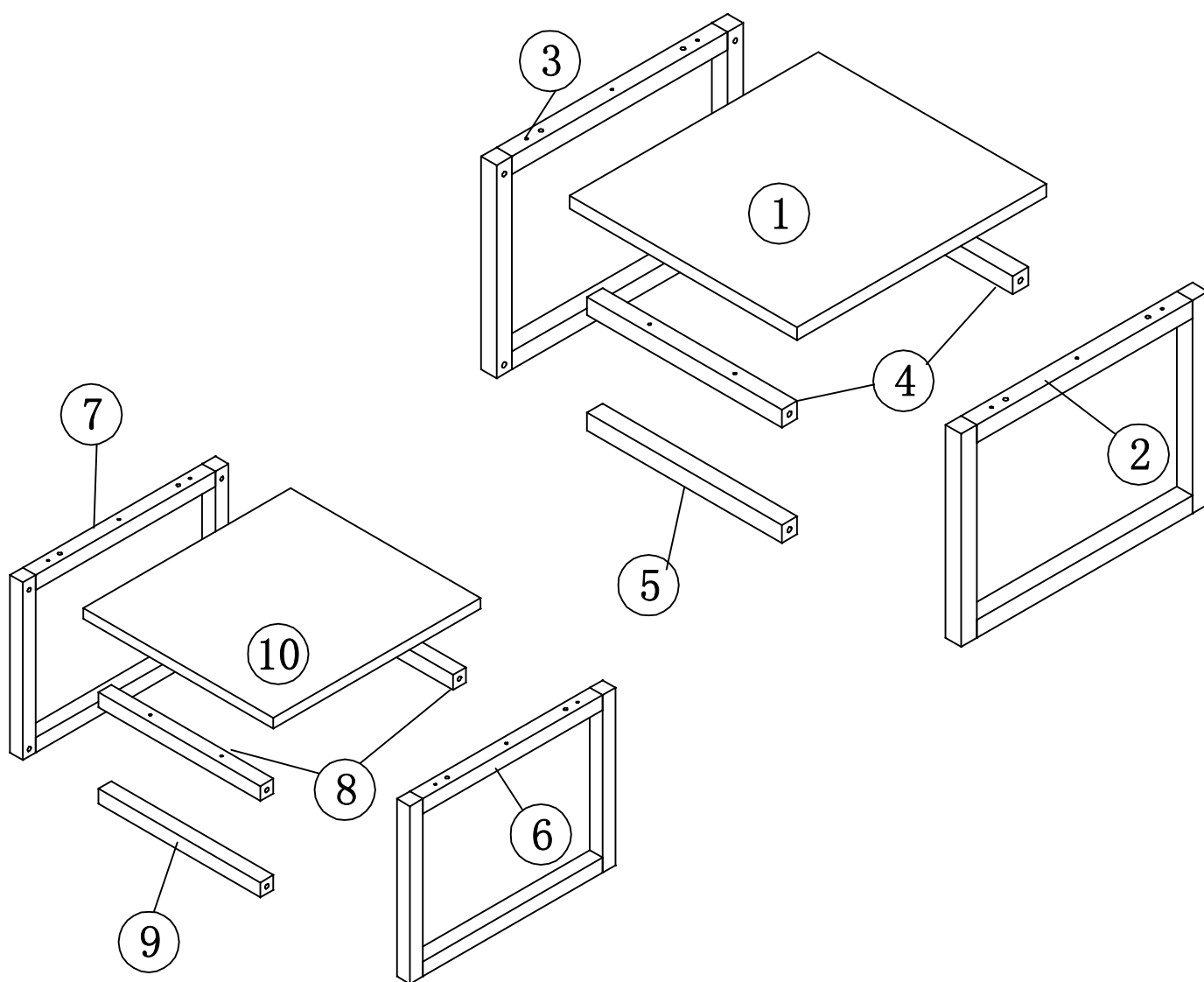



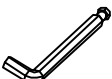



CORNUS



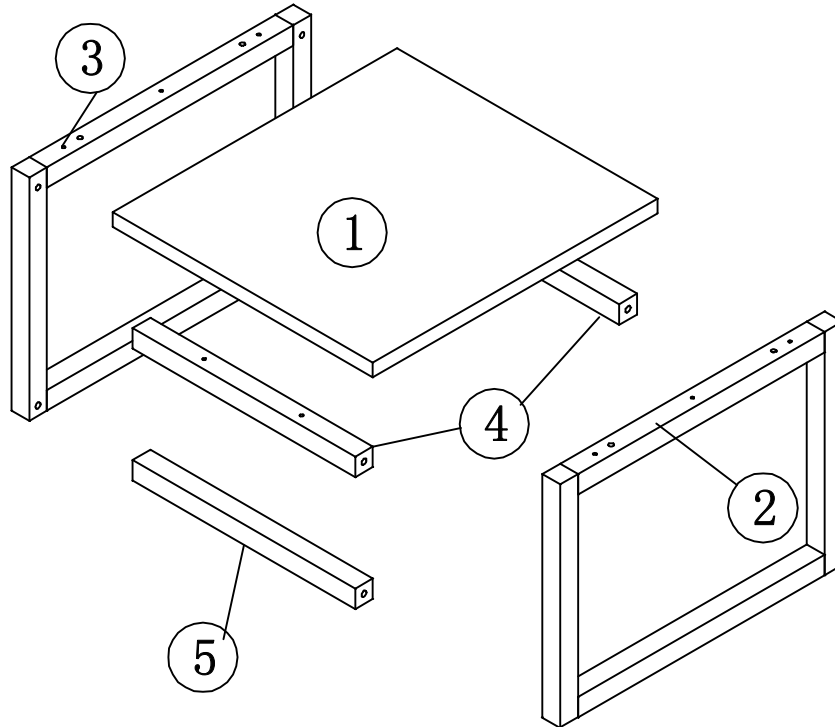
CORNUS



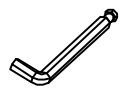


8-A  ∅8 × 35mm	12-B  M6 × 65mm	12-C  17 × 14 × 7mm	1-D  5mm	20-E  ∅4 × 38mm
---	--	--	--	--

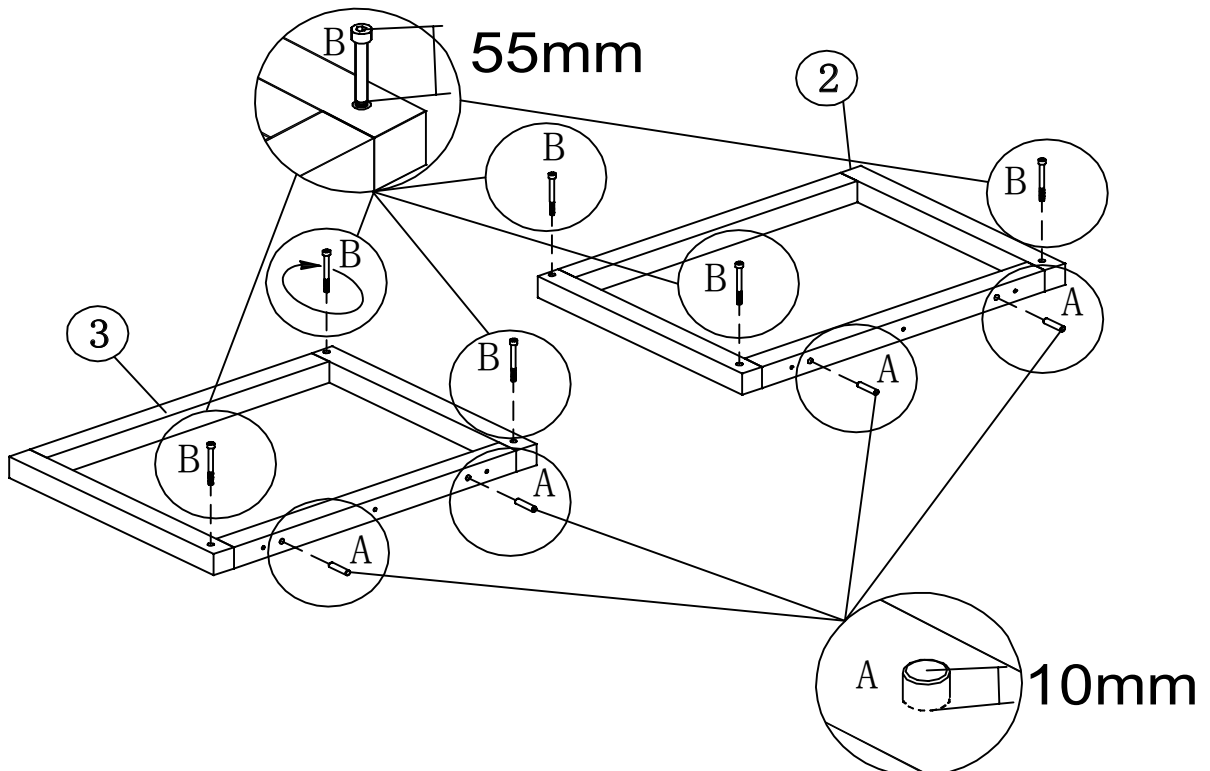
CORNUS

1



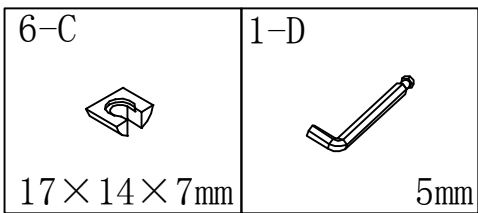
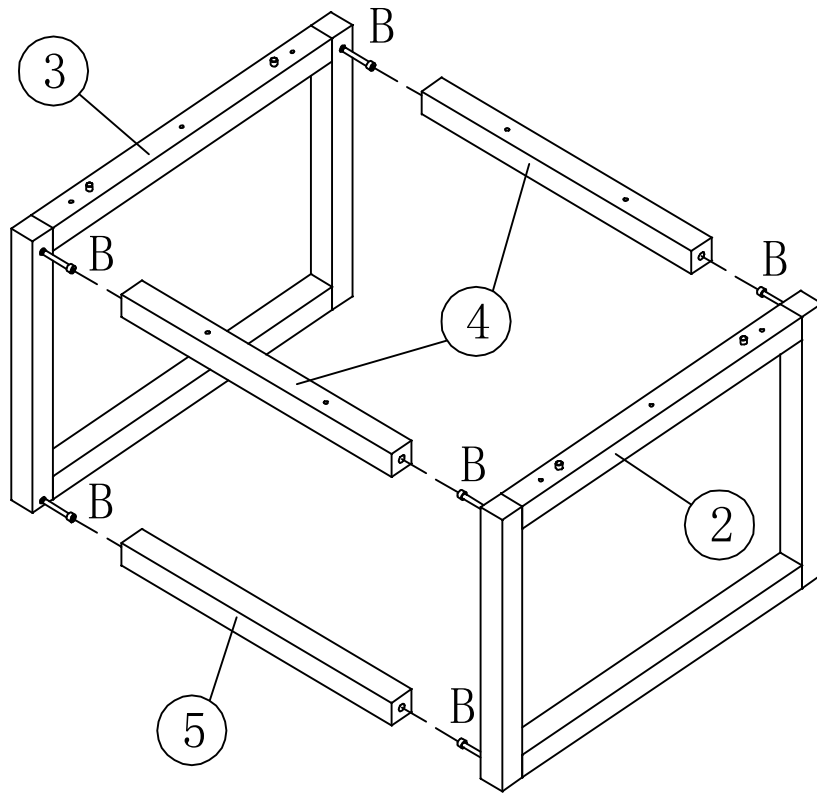
4-A  $\varnothing 8 \times 35\text{mm}$	6-B  $M6 \times 65\text{mm}$	1-D  5mm
--	---	---

2

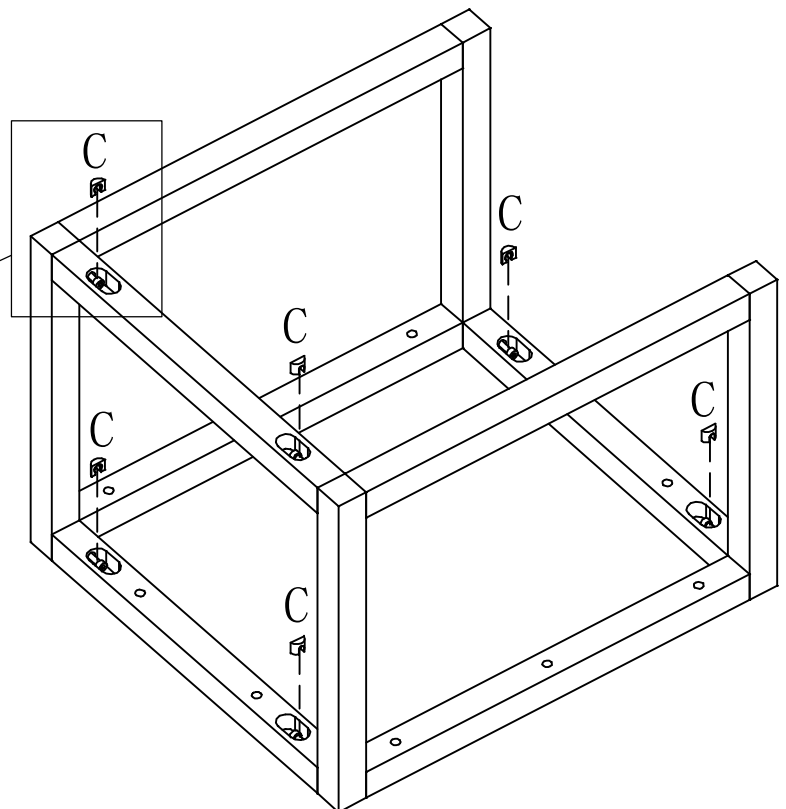
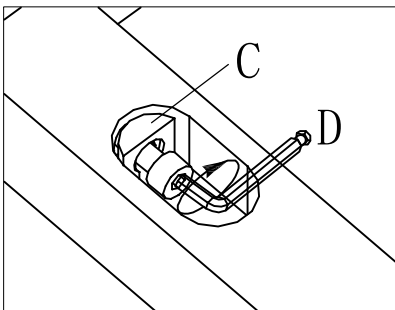


CORNUS

3

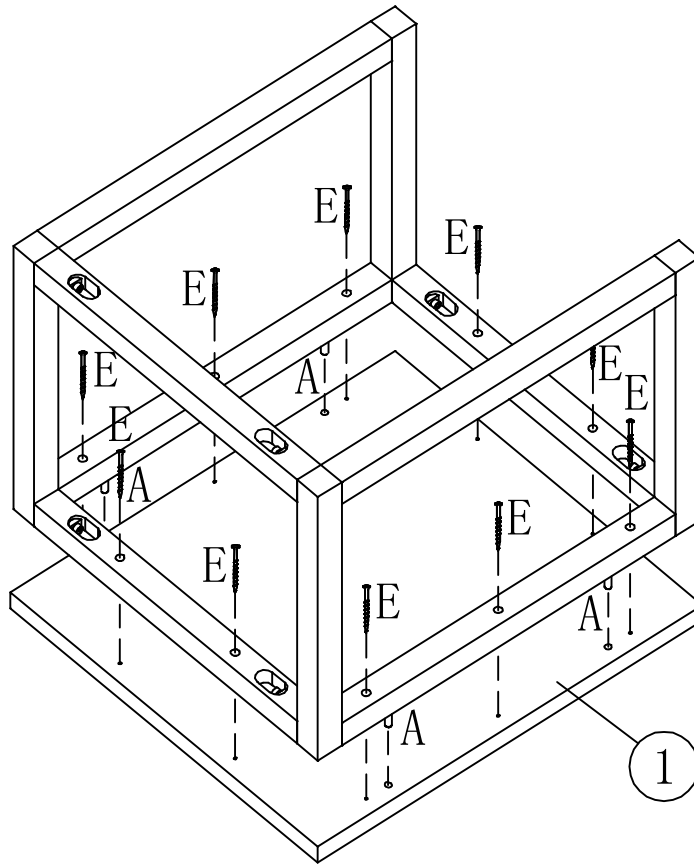
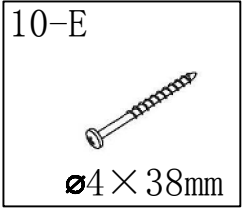


4

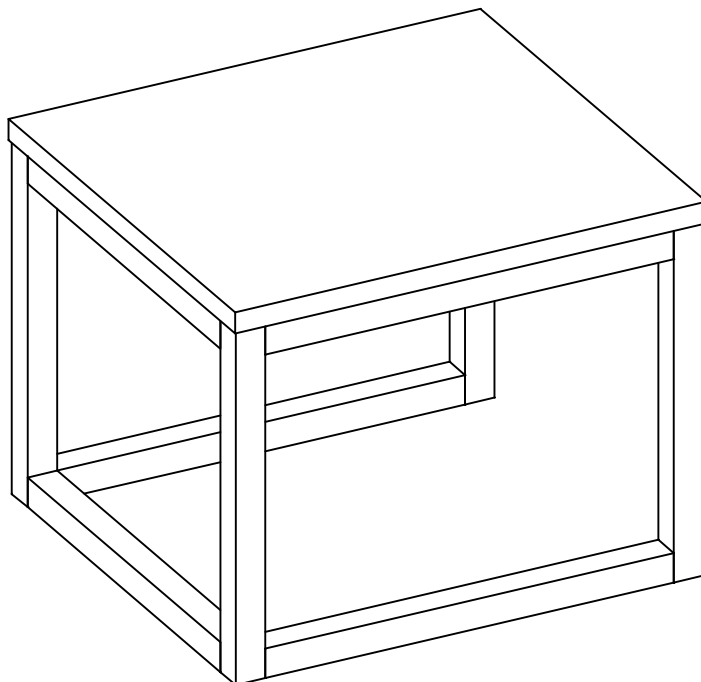


CORNUS

5

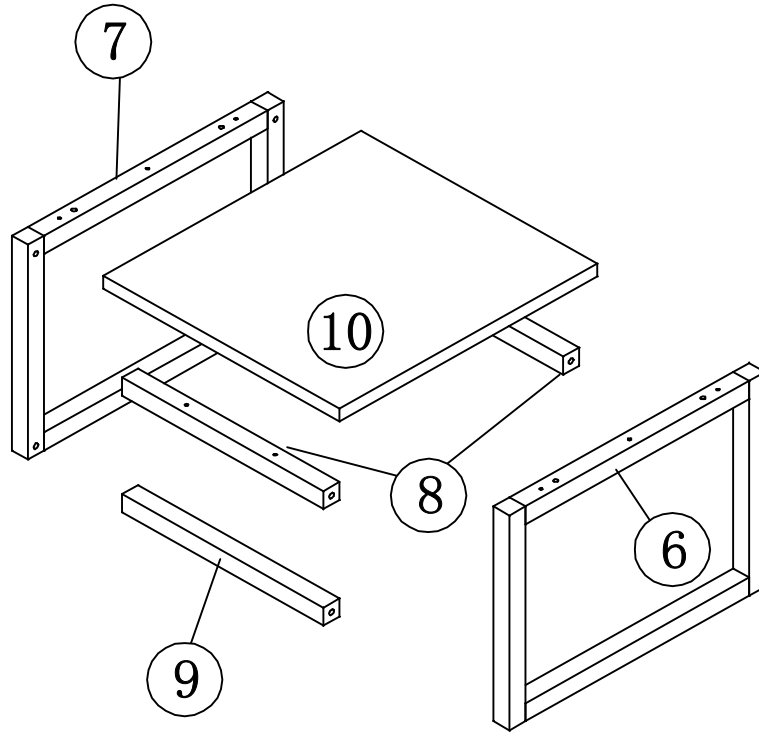




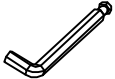
6



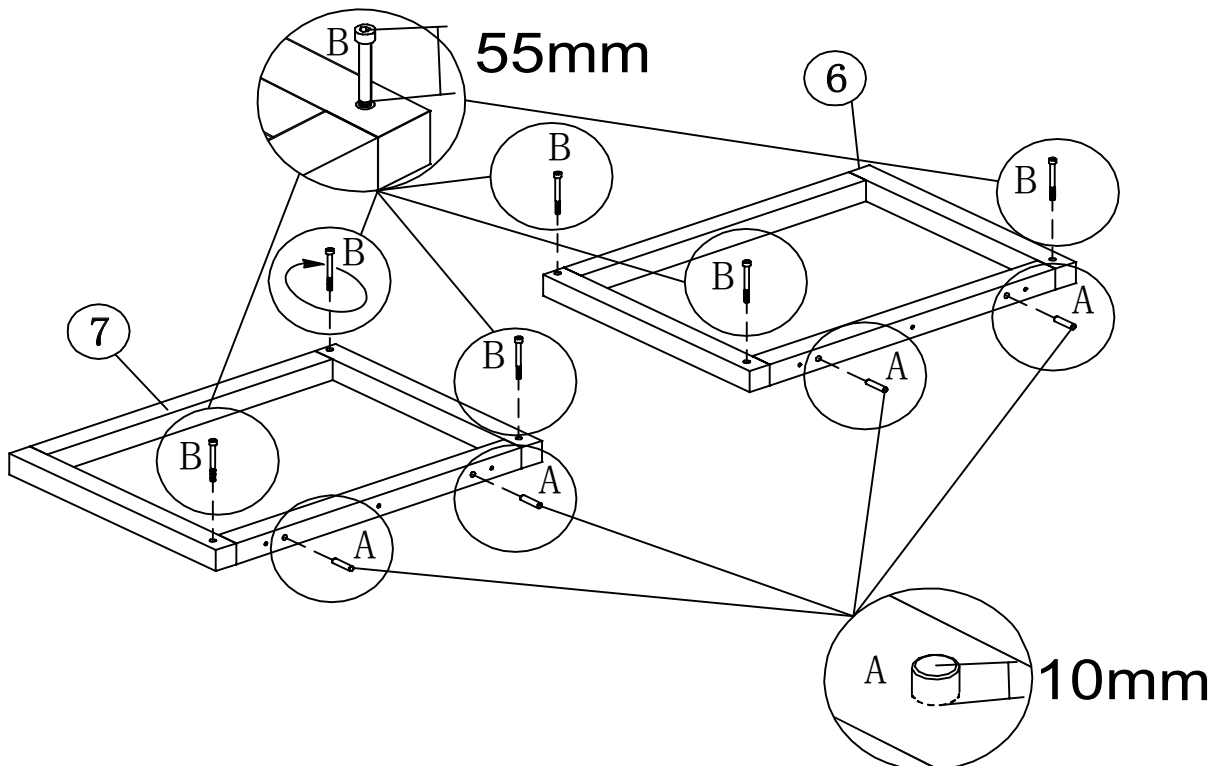
CORNUS

7



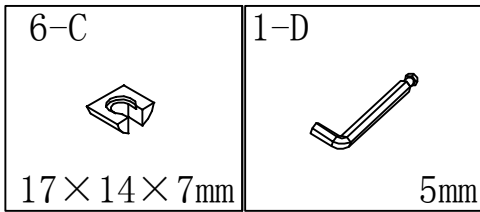
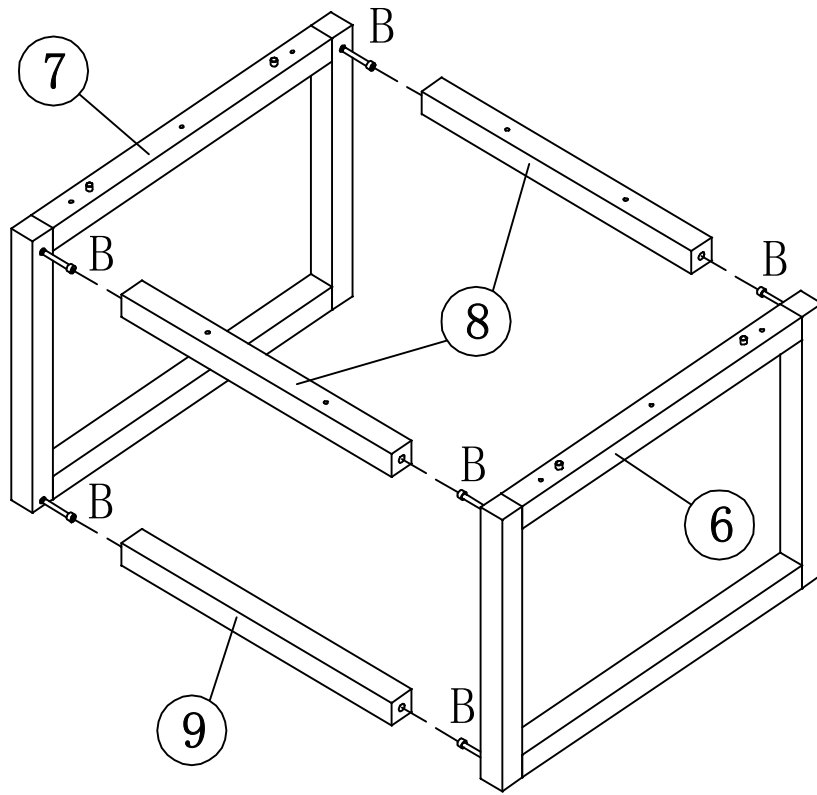
4-A	6-B	1-D
		
$\varnothing 8 \times 35\text{mm}$	$M6 \times 65\text{mm}$	5mm

8

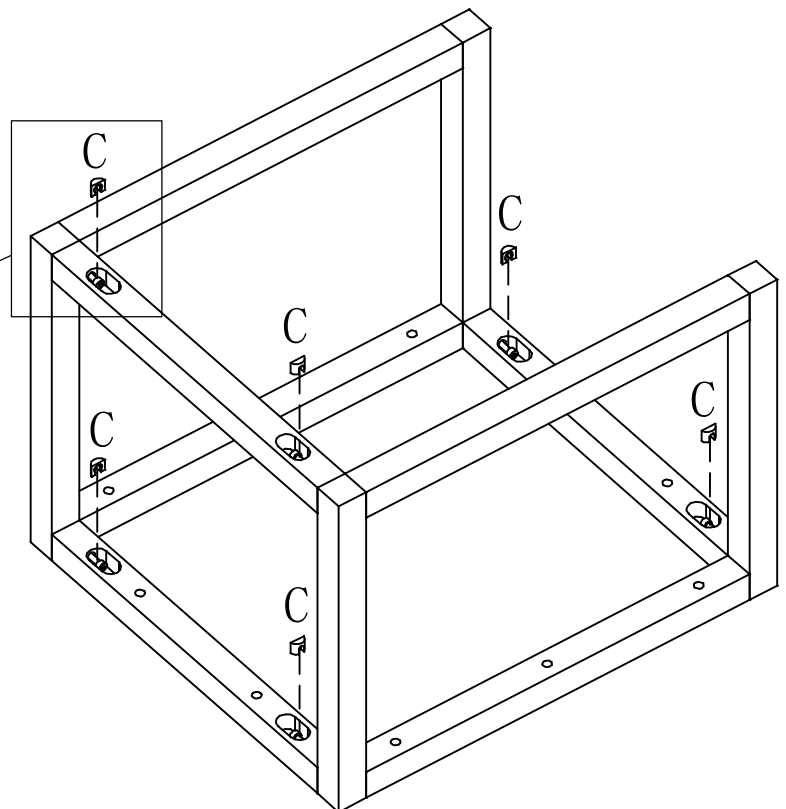
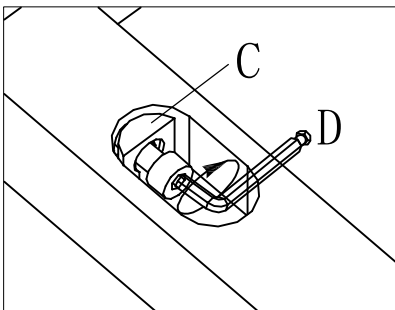


CORNUS

9

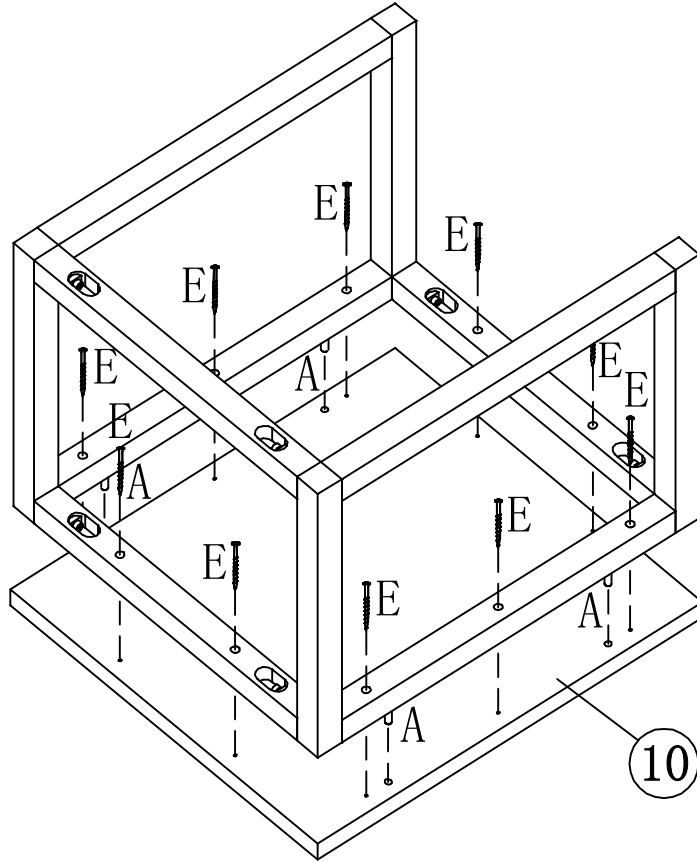
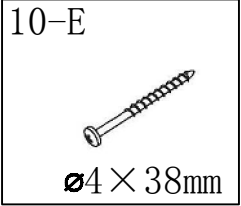


10



CORNUS

11



12

