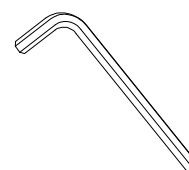
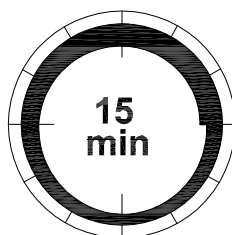
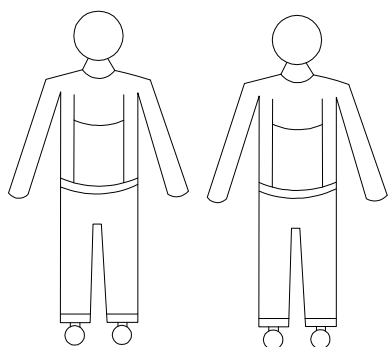
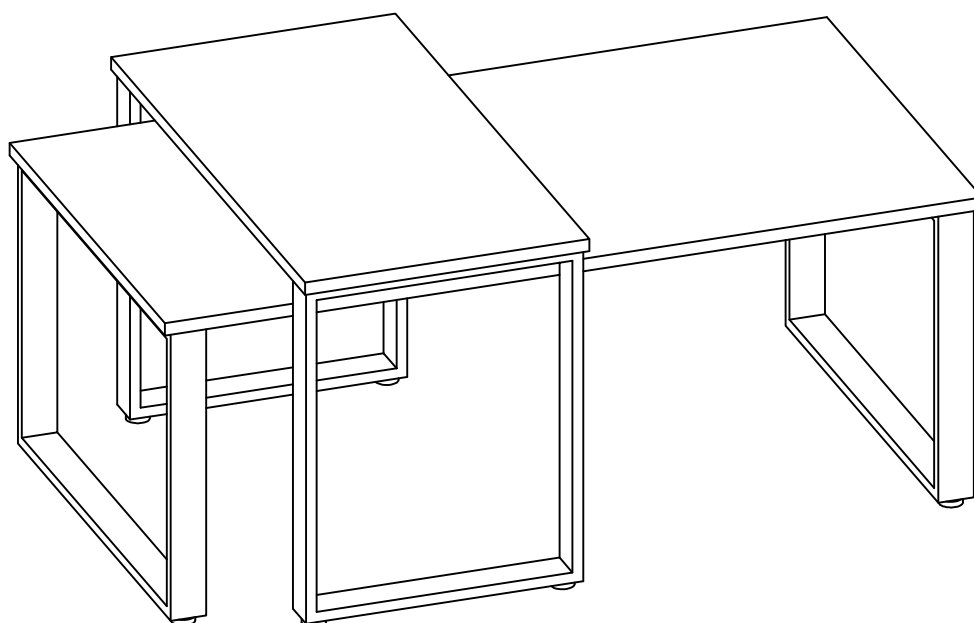
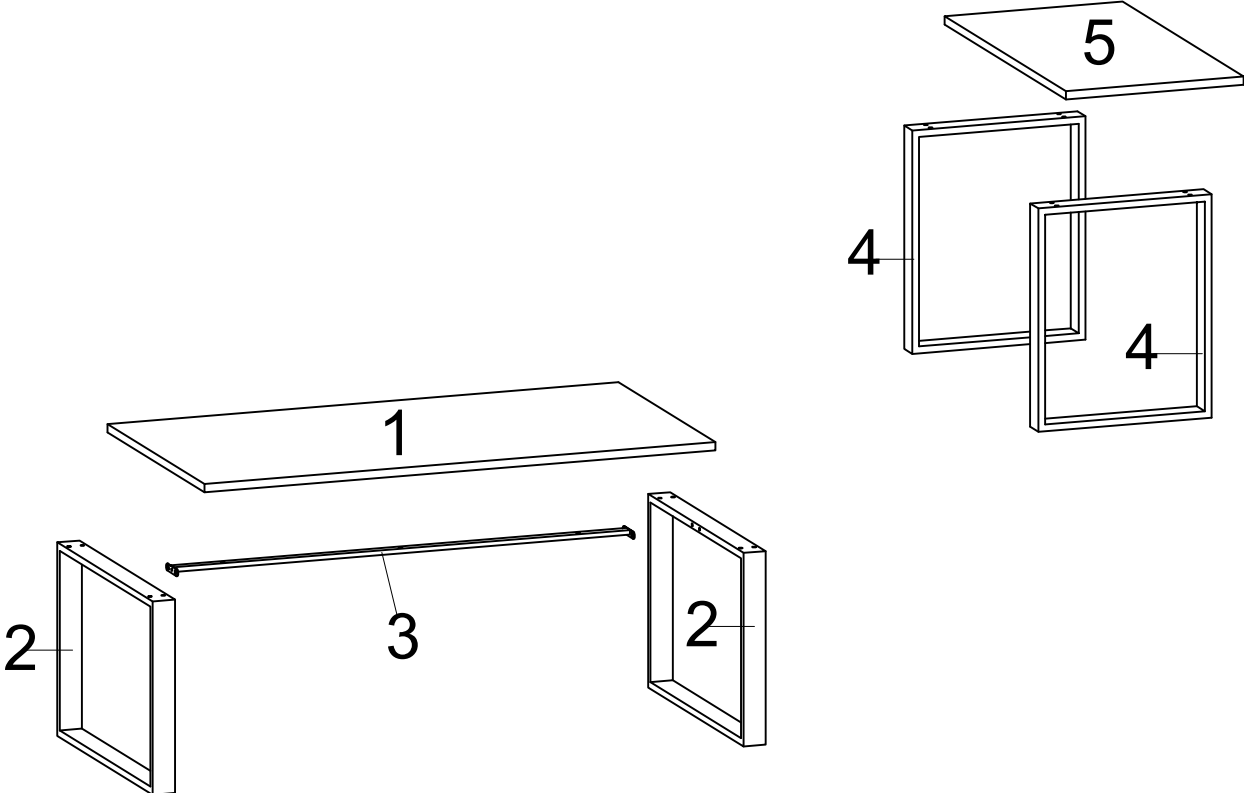


Katrine



Katrine



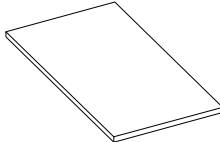
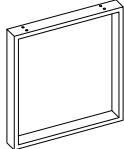
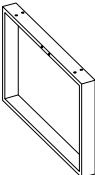
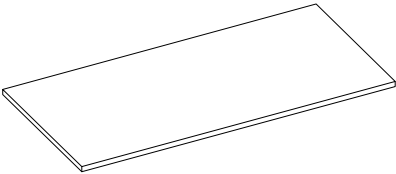
1(x1)

2(x2)

3(x1)

4(x2)

5(x1)



M6x25
A(x19)



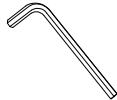
M6x12
B(x4)



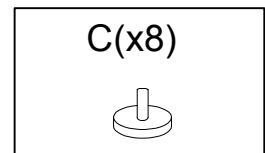
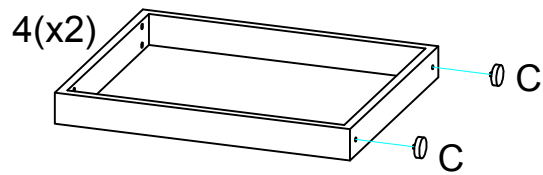
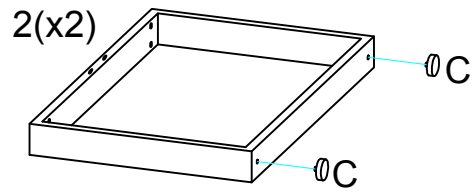
Ø32
C(x8)



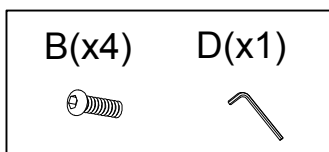
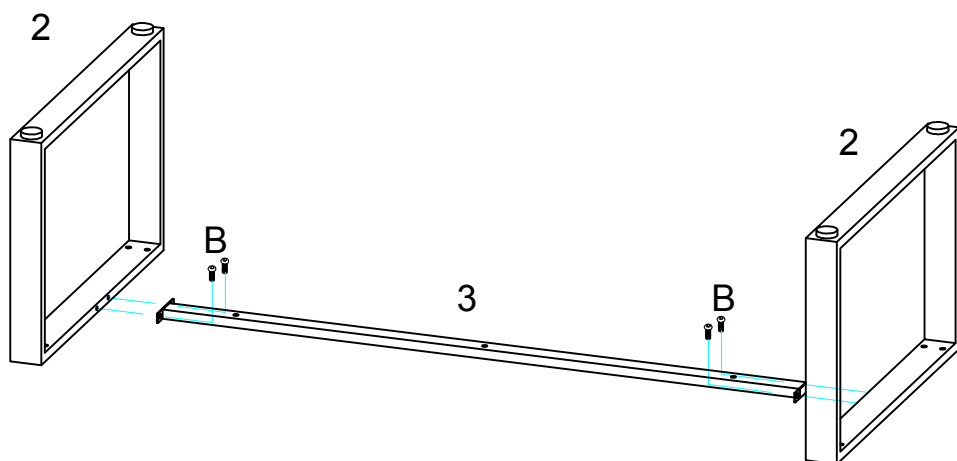
M6
D(x1)



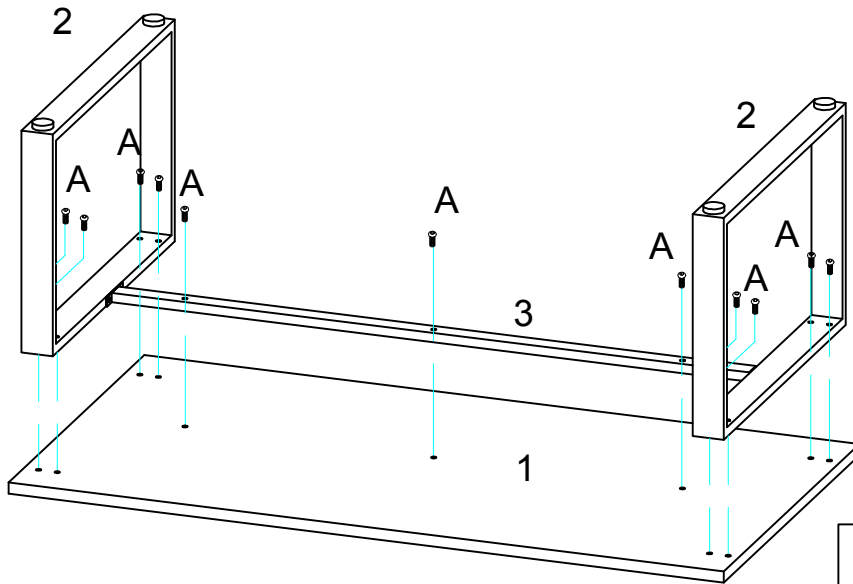
1



2



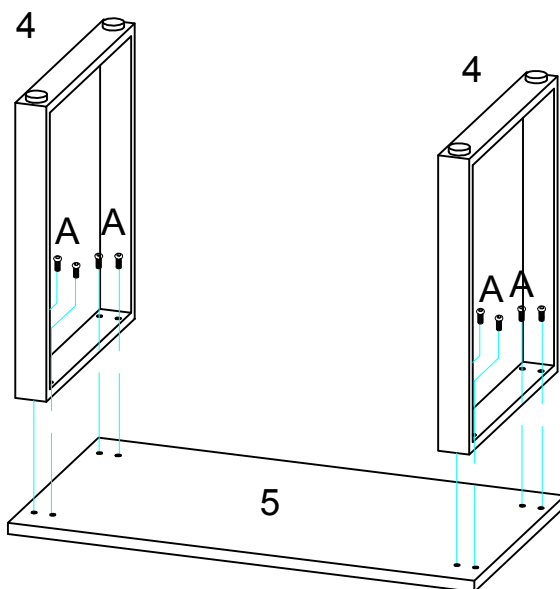
3



A(x11) D(x1)



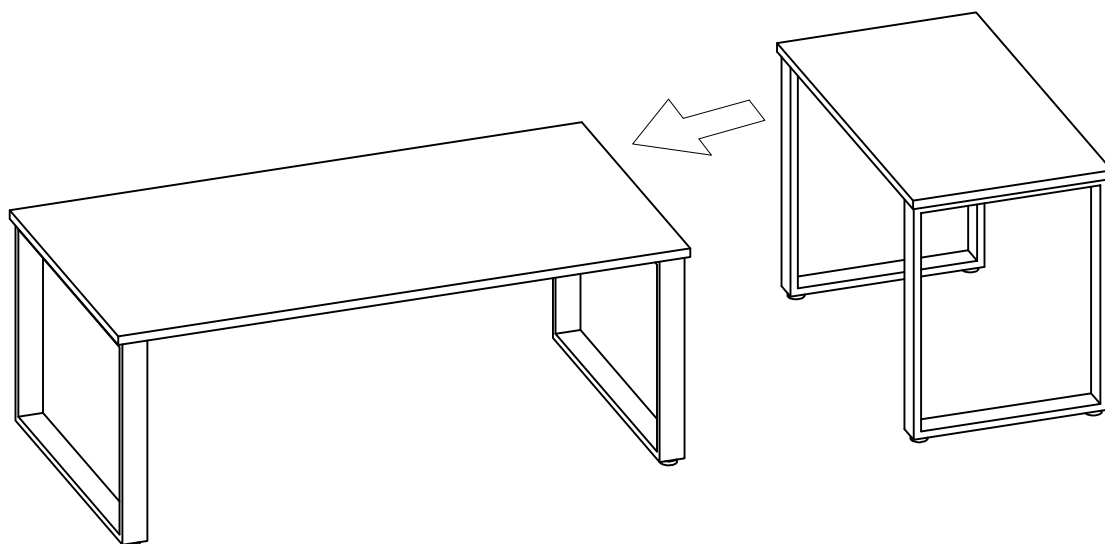
4



A(x8) D(x1)



5



6

