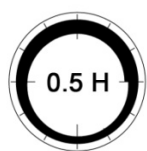
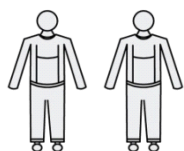
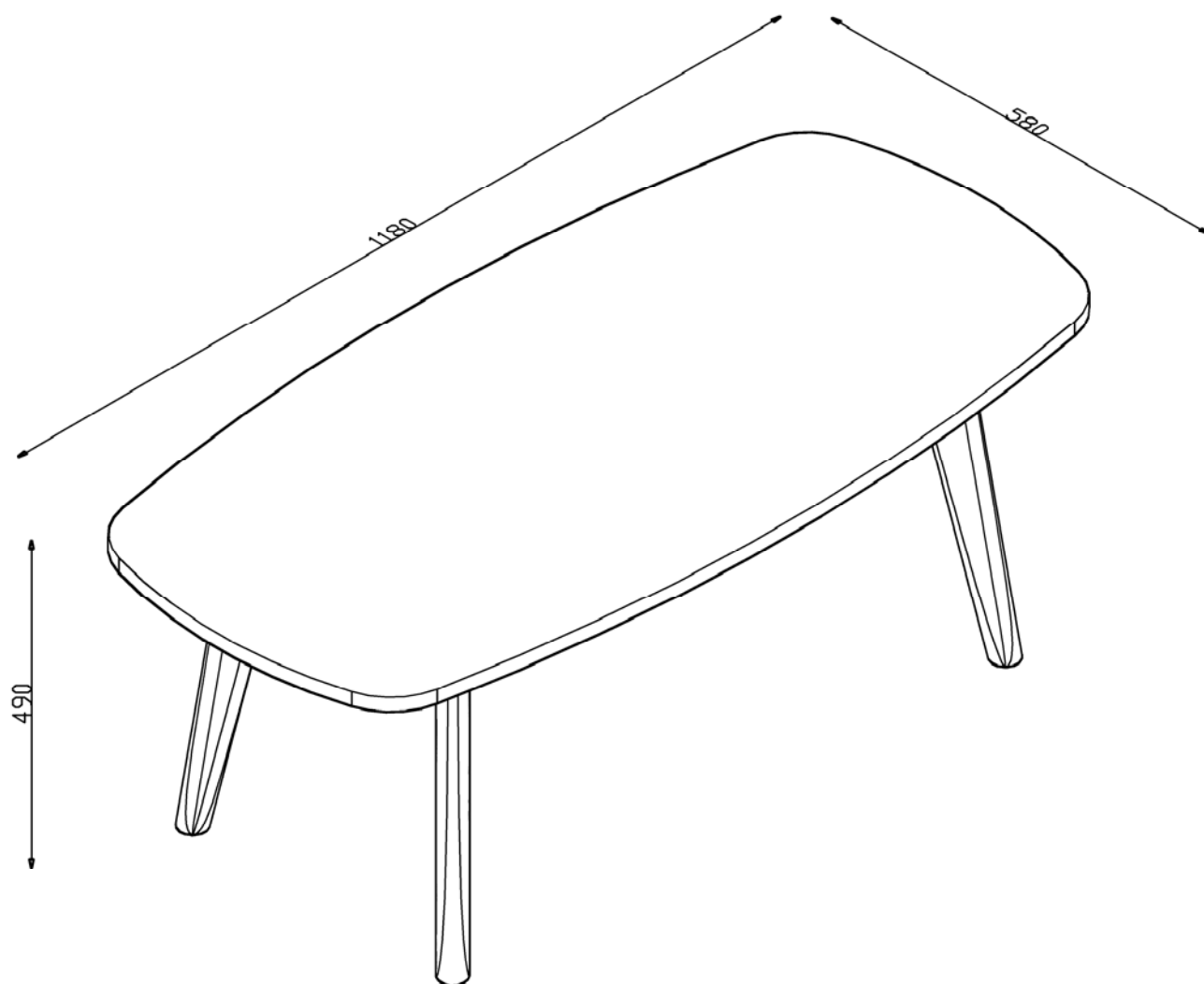
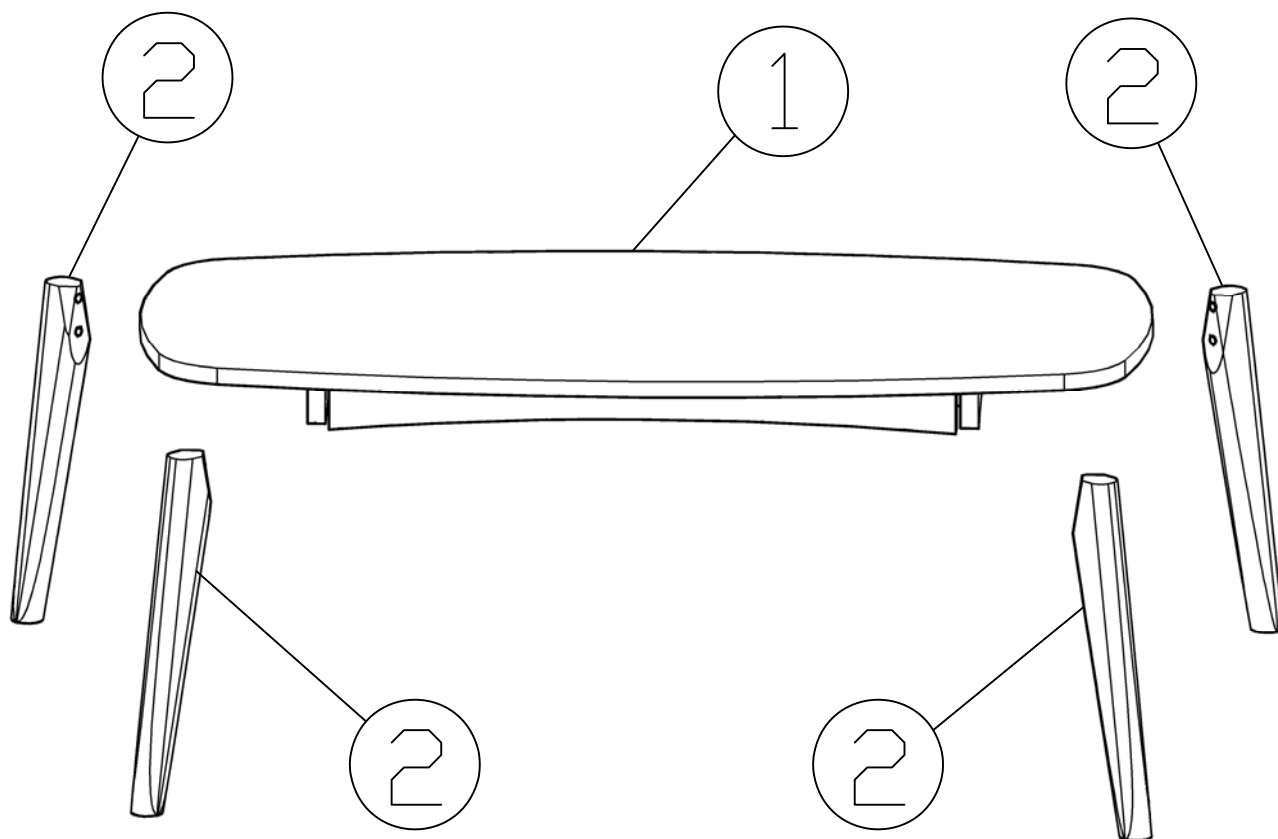




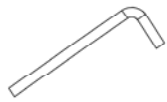
# MARTE

---



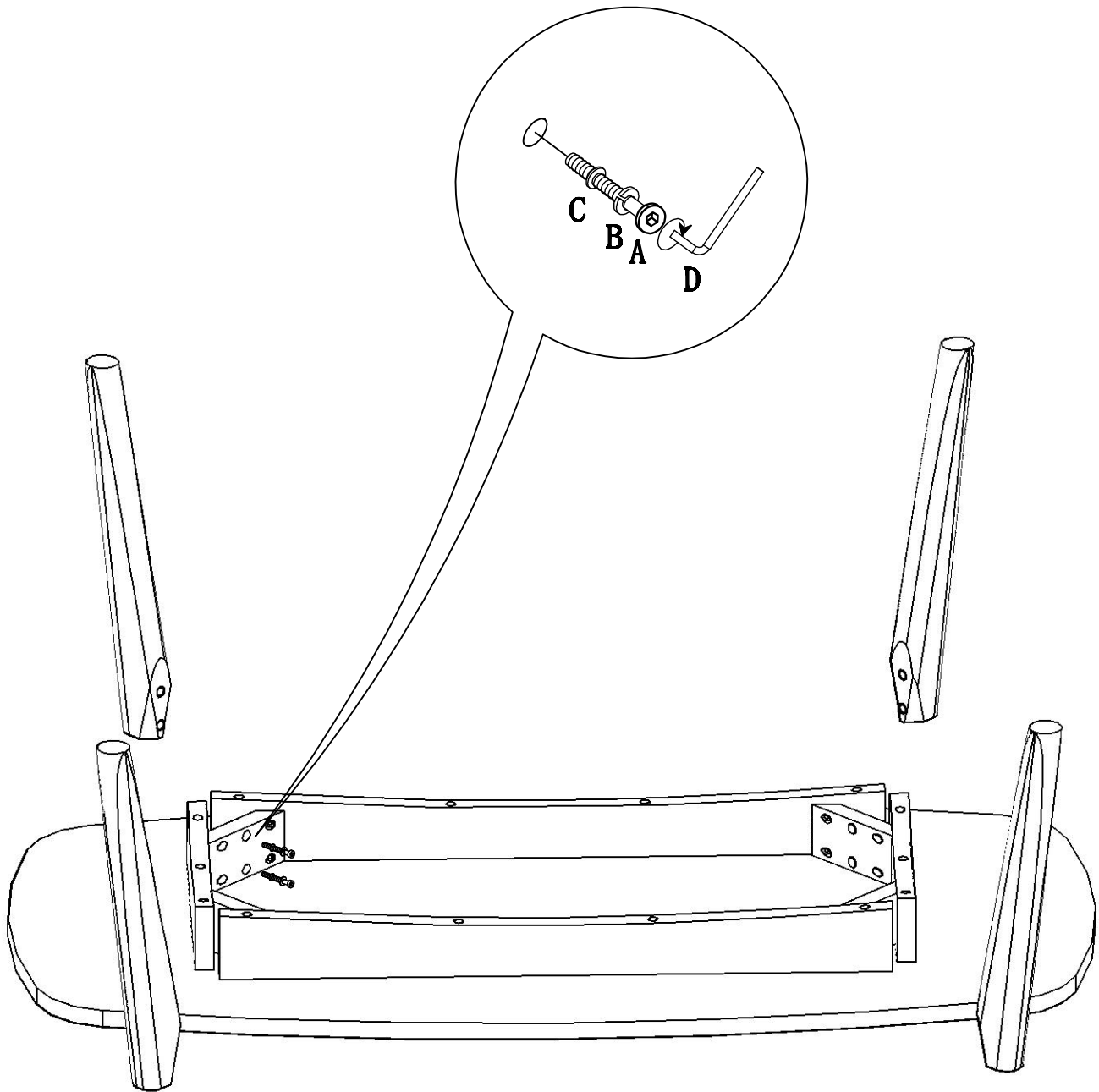
# MARTE



<b>8×A</b>  <b>M8×85mm</b>	<b>8×B</b>  <b>M8</b>	<b>8×C</b>  <b>M8</b>	<b>1×D</b>  <b>5mm</b>
---	--	--	---

# MARTE

1



# MARTE

---

2

