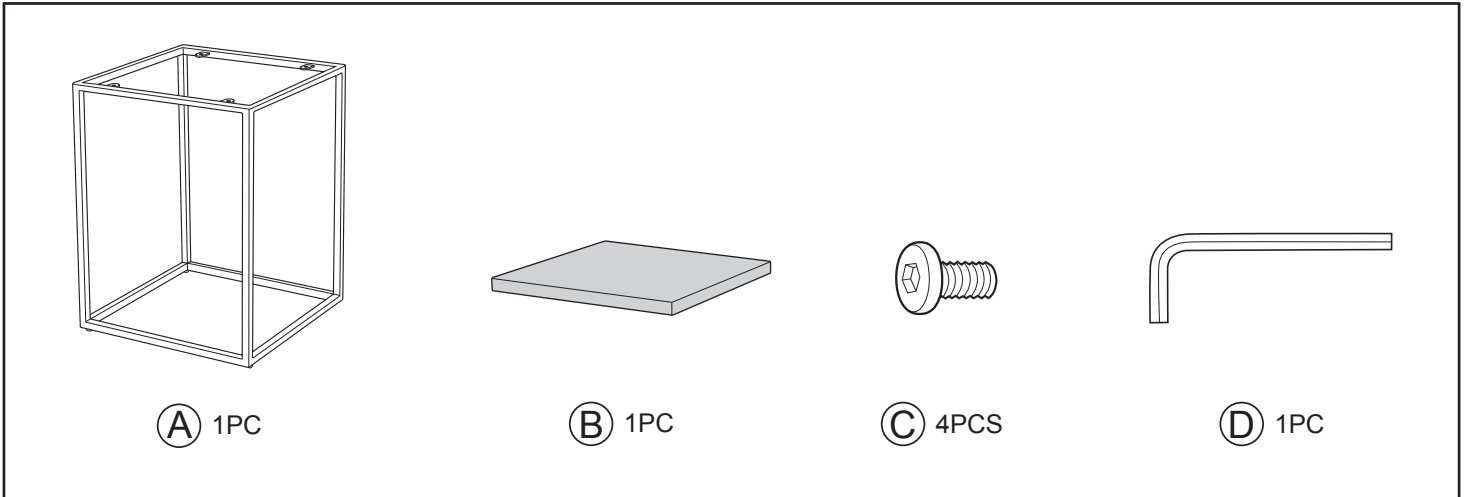


Assembly instructions

2300061 SIDE TABLE MARBLE POWER

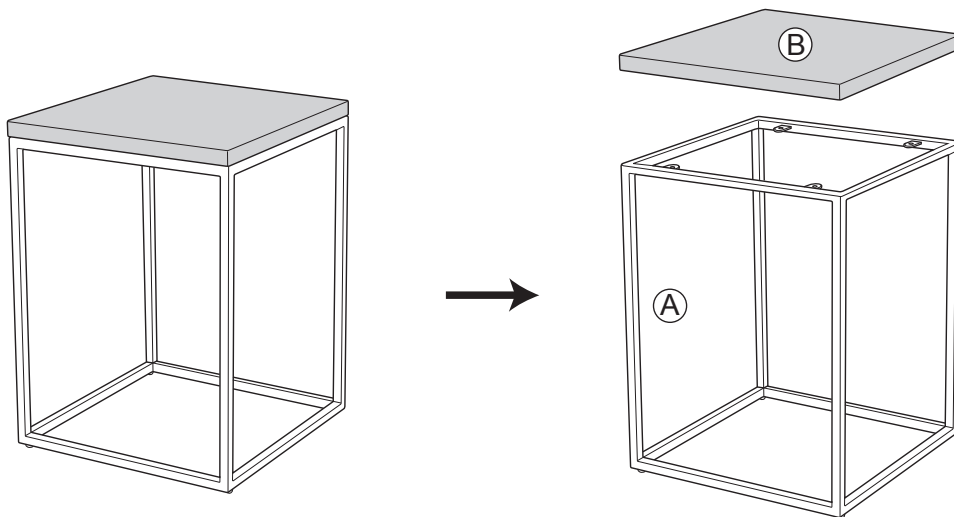
ZUIVER^o



Caution: Do not tighten screws completely until all the screws are fixed in the correct position.

Marble is a porous material. We recommend that you take extra care by using coasters for protection and in case of spilling, clean and dry immediately.

Do not clean with aggressive detergents. To maintain the perfect condition of the marble, use beeswax to polish.



1

2

