

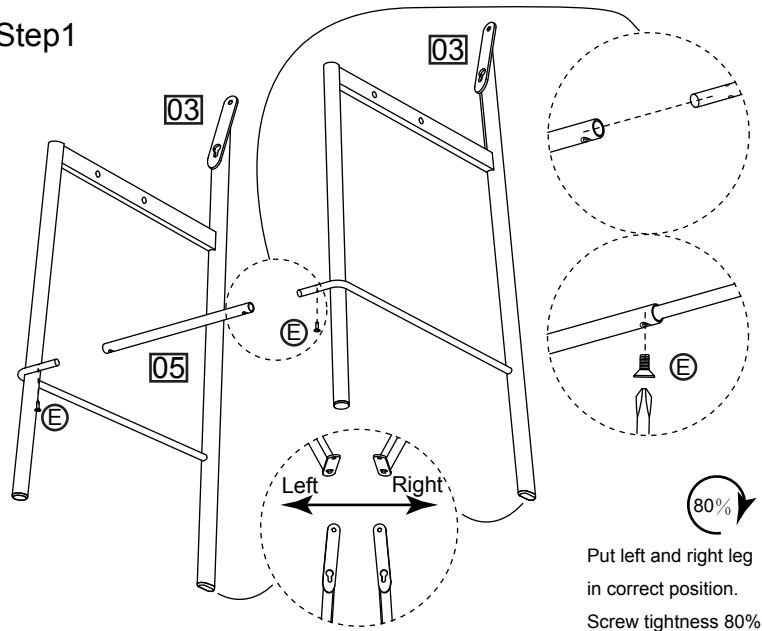
# COUNTER STOOL SPIKE

# ZUIVER<sup>o</sup>

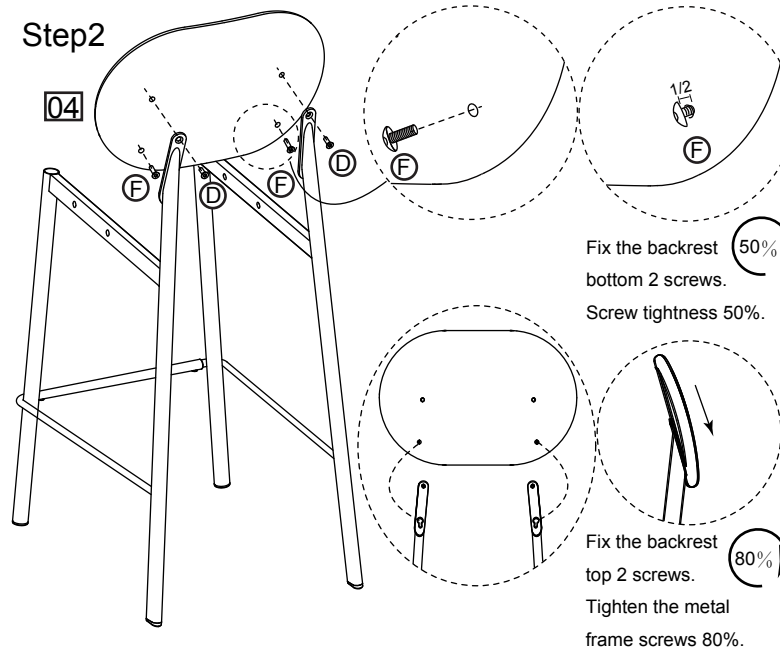
## COMPONENT PARTS

## FITTINGS

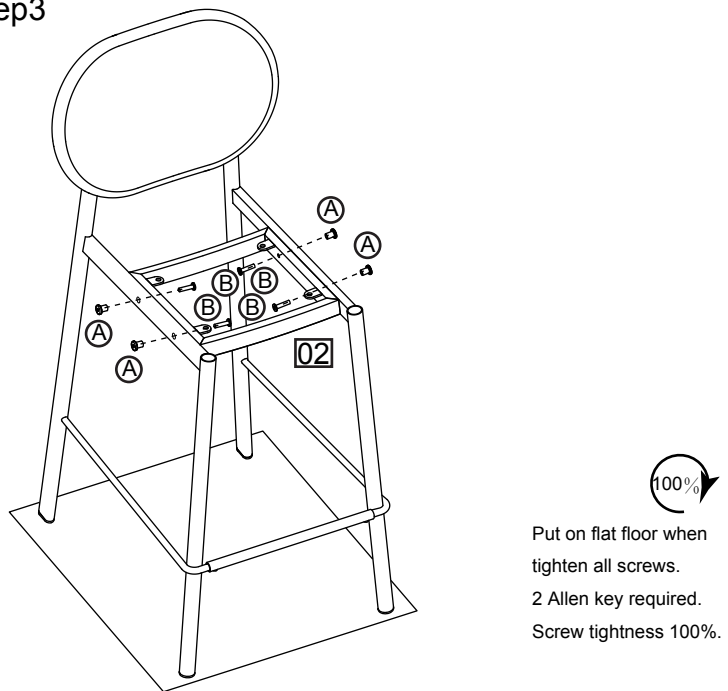
Step1



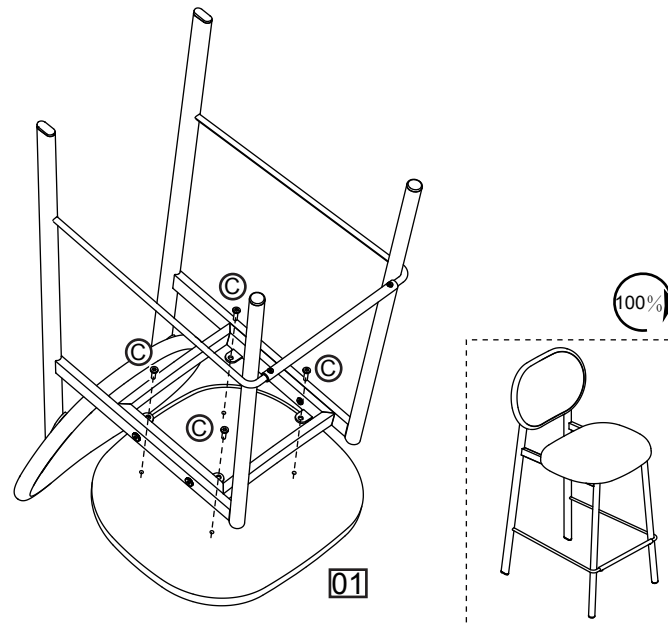
Step2



Step3



Step4



(A)		×4
(B)		×4
(C)		×4
(D)		×2
(E)		×2
(F)		×2

## COMPONENT CHECKLIST

PART	No.	Qty.	
Seat	01	1	<input type="checkbox"/>
Tray	02	1	<input type="checkbox"/>
Leg	03	2	<input type="checkbox"/>
Backrest	04	1	<input type="checkbox"/>
Pedal	05	1	<input type="checkbox"/>

## TOOLS REQUIRED

