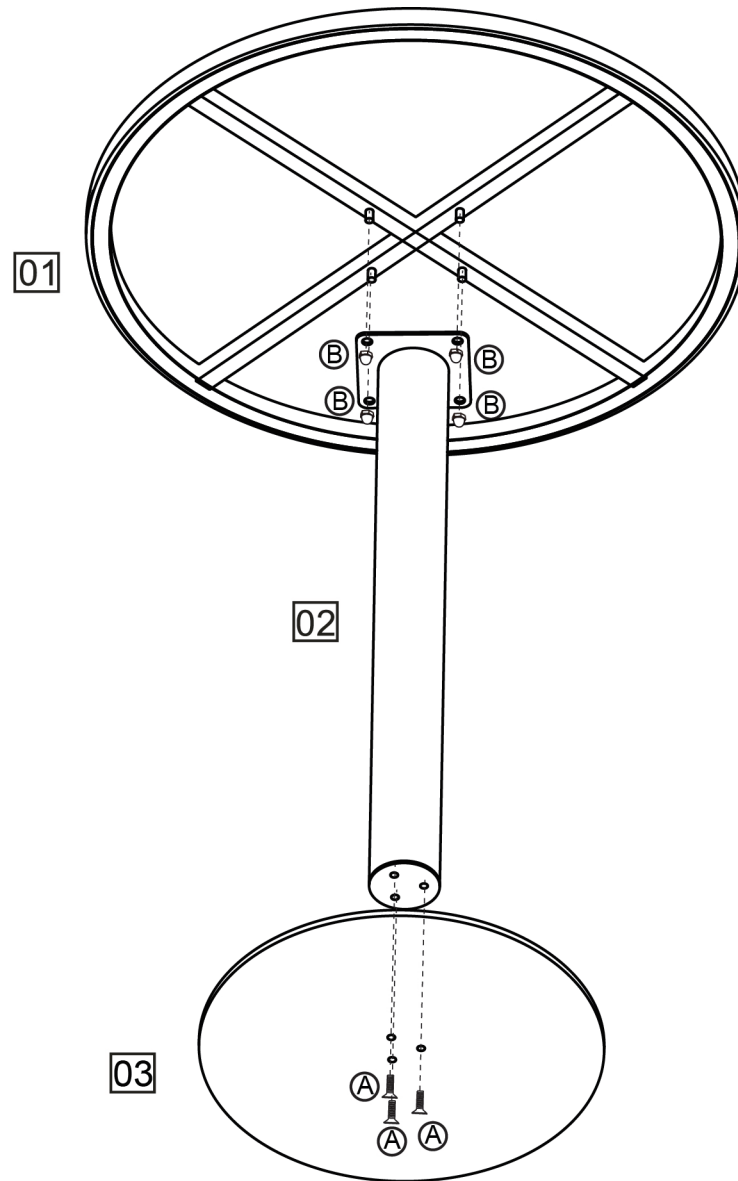
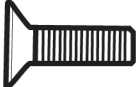
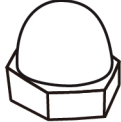


COMPONENT PARTS

FITTINGS




- A

x3
 (M8x20CM)
- B

x4

COMPONENT CHECKLIST

PART	No.	Qty.	
Desktop	01	1	<input type="checkbox"/>
Desk post	02	1	<input type="checkbox"/>
Chassis	03	1	<input type="checkbox"/>

TOOLS REQUIRED


 Allen key (supplied)


 Spanner (supplied)