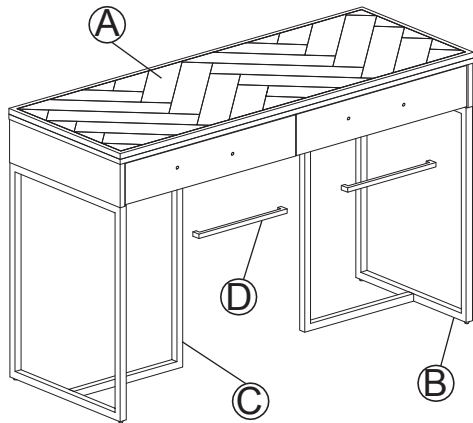


ASSEMBLY INSTRUCTIONS CONSOLE TABLE CLASS



- Please do not discard any of the packaging until you have checked all the parts and the hardware packages.
- Before you begin to assemble your new piece of furniture, please check to ensure that all parts have been supplied.
- Follow instructions closely as deviation from them may void your warranty and present a possible safety risk.
- It is recommended that assembly is done on a soft surface like carpet to avoid any damage.
- Periodically check and re-tighten any fasteners. wipe down all surfaces weekly with a clean cloth. do not clean any surfaces with harsh abrasives or chemicals.

Parts Check List

Code	Components	Qty
(A)	TABLE TOP	x1
(B)	PART 1	x2
(C)	PART 2	x2
(D)	HANDLE (INSIDE)	x2

Fittings Check List

Code	Components	Qty
01	Allen long bolt	x12
02	Allen short bolt	x4
03	Spring washer	x12
04	Flat washer	x12
05	Allen key	x1

Phillips head screwdriver
tool needed (not include)

