

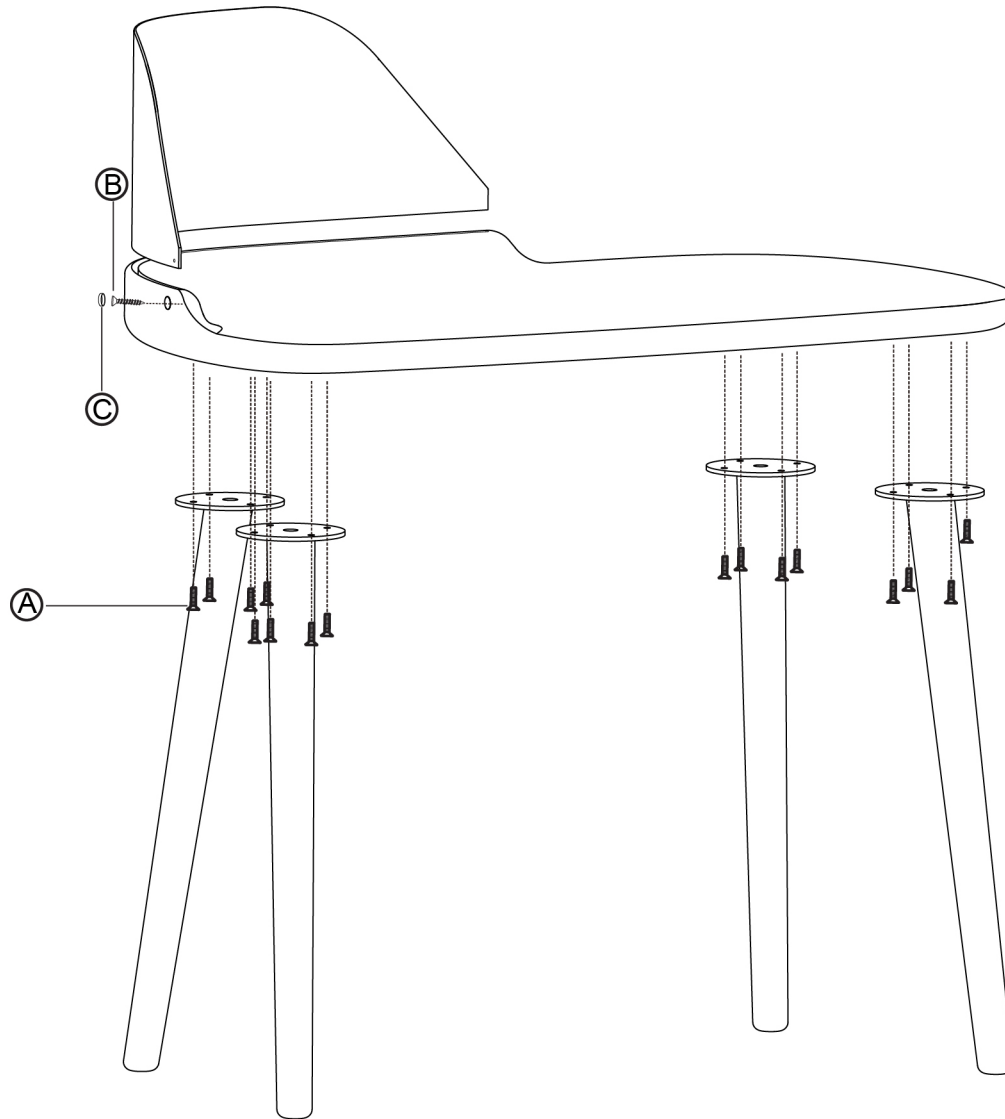
COMPONENT PARTS




FITTINGS

01

02

03



- Ⓐ  ×16
- Ⓑ  ×4
- Ⓒ  ×4

COMPONENT CHECKLIST

PART	No.	Qty.	
Paddle	01	1	<input type="checkbox"/>
Table top	02	1	<input type="checkbox"/>
Leg	03	4	<input type="checkbox"/>

TOOLS REQUIRED



Allen key (supplied)